

wright **STANDER**[®]

Parts List for Wright Stander
(For Serial Numbers 49046 and Higher Until Superseded)

Replace with newer revisions as they become available



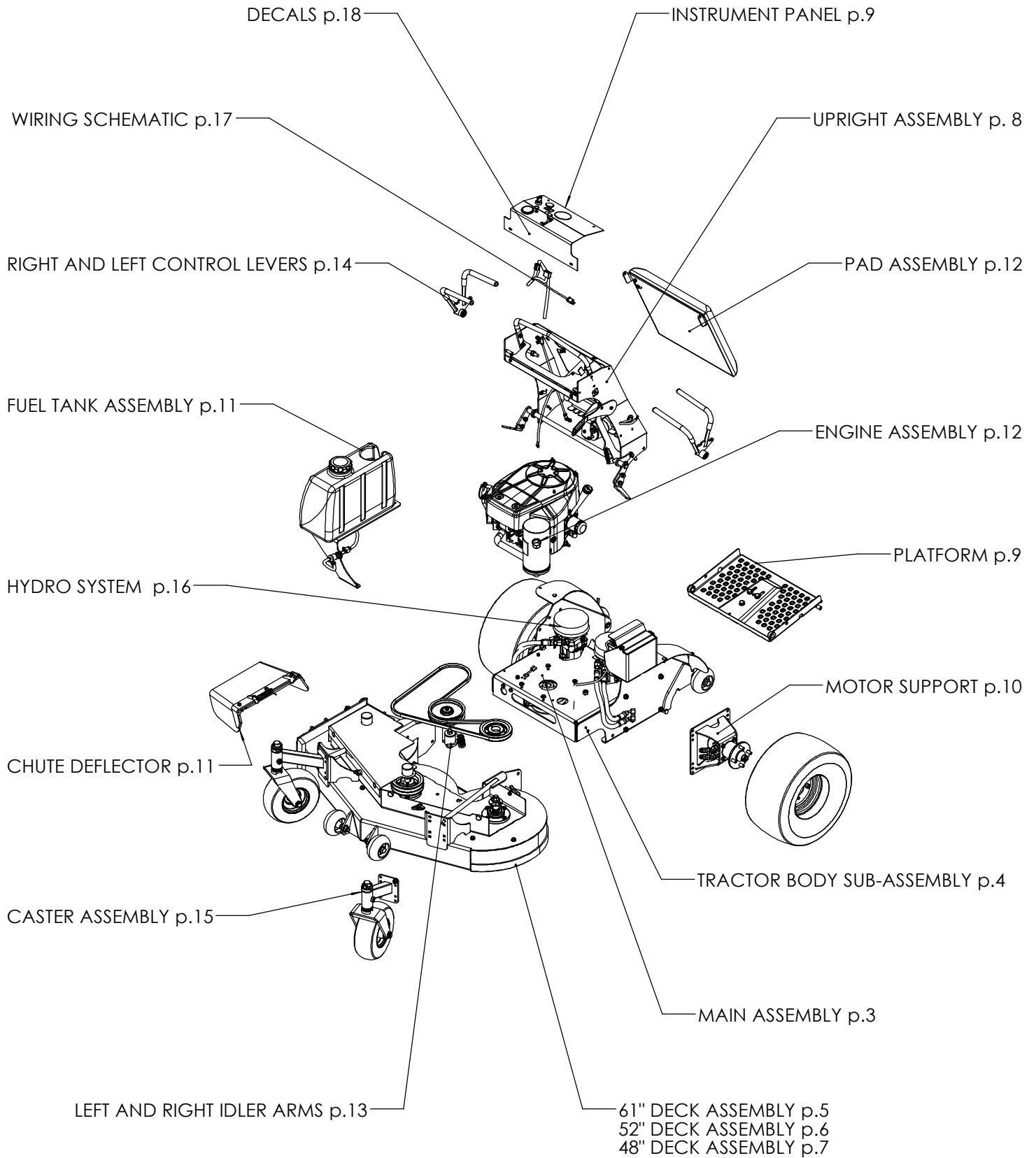
© 2009 Wright Manufacturing, Inc. All rights reserved

Revised: 07/09

NOTES:

1. Use parts specified by Wright Manufacturing, Inc. Use of other parts may compromise the safe use of the mower and could void the warranty.
2. Electronic copies of this document are available at www.wrightmfg.com
3. To obtain parts see your local dealer. You can find your local Wright dealer by going to www.wrightmfg.com and clicking on the Dealer Locator.

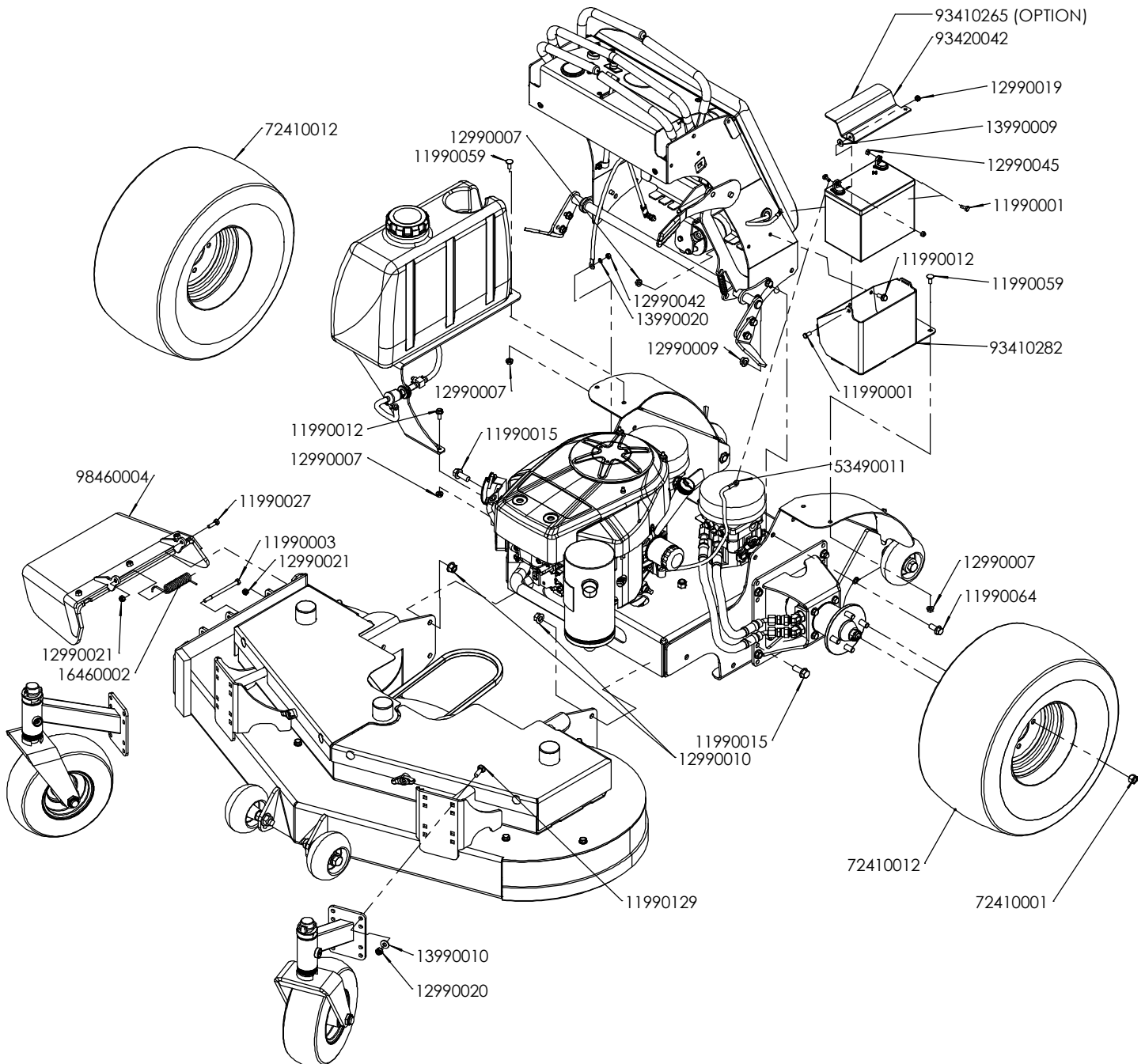
STANDER IPL CONTENTS



MAIN ASSEMBLY

PN	DESCRIPTION	QTY
11990001	BOLT HEX, 1/4-20 x 5/8 Z5	3
11990003	BOLT, HEX, 5/16-18 x 4 1/2 Z5	1
11990012	BOLT, FLANGE LOCK, 5/16-18 x 3/4 Z5	4
11990015	BOLT, FLANGE LOCK, 1/2-13 x 1 1/4 Z5	6
11990027	BOLT, HEX, 5/16-18 x 1 Z5	1
11990059	BOLT CARRIAGE, 5/16-18 x 3/4 Z5	4
11990064	BOLT, FLANGE LOCK, 7/16-14 x 1 Z5	6
11990129	BOLT, CARRIAGE, 3/8-16 x 1 1/4 Z5	8
12990007	NUT, FLANGE LOCK, 5/16-18 Z5	8
12990009	NUT, FLANGE LOCK, 7/16-14 Z5	6
12990010	NUT, FLANGE LOCK, 1/2-13 Z5	6
12990019	NUT, NYLOCK, 1/4-20 Z5	1
12990020	NUT, NYLOCK, 3/8-16 Z5	8
12990021	NUT, NYLOCK, 5/16-18 Z5	2

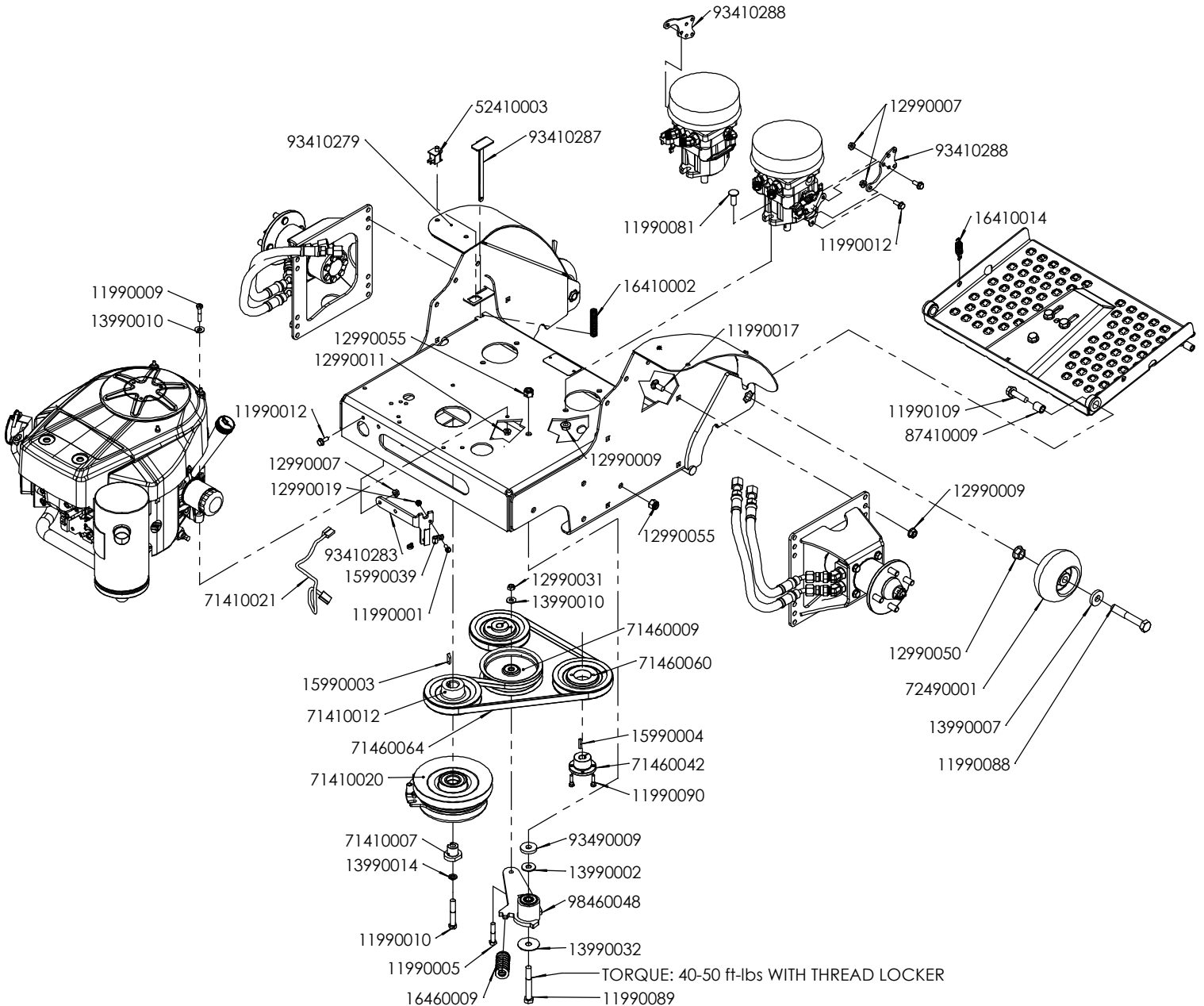
PN	DESCRIPTION	QTY
12990042	NUT, JAM, 1/4-20 Z5	1
12990045	NUT, TOP LOCK, 1/4-20 Z5	2
13990009	WASHER, FLAT, 1/4 Z5	1
13990010	WASHER, FLAT, 5/16 Z5	8
13990020	WASHER, SPLIT LOCK, 1/4 Z5	1
16460002	SPRING, TORSION, CHUTE DEFLECTOR	1
53490011	WIRE, 6 AWG BLACK, ST2 BATTERY-ENGINE	1
72410001	NUT, LUG 1/2-20	8
72410012	WHEEL ASSEMBLY, 20 x 10.00-8	2
93410265	BATTERY COVER, OPTIONAL, FOR TALLER BAT.	-
93410282	BATTERY BOX	1
93420042	BATTERY COVER	1
98460004	ST FLEXIBLE CHUTE DEFLECTOR ASSEMBLY	1



TRACTOR BODY SUB-ASSEMBLY

PN	DESCRIPTION	QTY
11990001	BOLT HEX, 1/4-20 x 5/8 Z5	1
11990005	BOLT, HEX, 3/8-16 x 2 Z5	1
11990009	BOLT, HEX, 5/16-24 x 1 1/2 Z5	4
11990010	BOLT, HEX, 7/16-20 x 2 3/4 Z5	1
11990012	BOLT, FLANGE LOCK, 5/16-18 x 3/4 Z5	6
11990017	BOLT CARRIAGE, 7/16 x 1 Z5	8
11990081	BOLT CARRIAGE, 7/16 x 1 1/4 Z5	4
11990088	BOLT, HEX, 5/8-11 x 4 Z5	2
11990089	BOLT, HEX, 1/2-20 x 3 1/2 Z5	1
11990090	BOLT, HEX, 1/4-20 x 1 P8	4
11990109	BOLT, FLANGE LOCK, 1/2-13 x 1 3/4 Z5	2
12990007	NUT, FLANGE LOCK, 5/16-18 Z5	6
12990009	NUT, FLANGE LOCK, 7/16-14 Z5	12
12990011	NUT, FLANGE LOCK, 5/16-24 Z5	4
12990019	NUT, NYLOCK, 1/4-20 Z5	1
12990031	NUT, TOP LOCK 3/8-16 Z5	1
12990050	NUT, FLANGE LOCK, 5/8-11 Z5	2
12990055	NUT NYLOCK, 1/2-13 Z5	3
13990002	WASHER, FLAT, 7/16 Z5	1
13990007	MACHINE BUSHING, 5/8 x 1 1/2 x 1/4 Z	2
13990010	WASHER, FLAT, 5/16 Z5	5
13990014	WASHER, SPLIT LOCK 7/16	1
13990032	WASHER, FLAT, 1/2 x 2 x 0.062 Z5	1

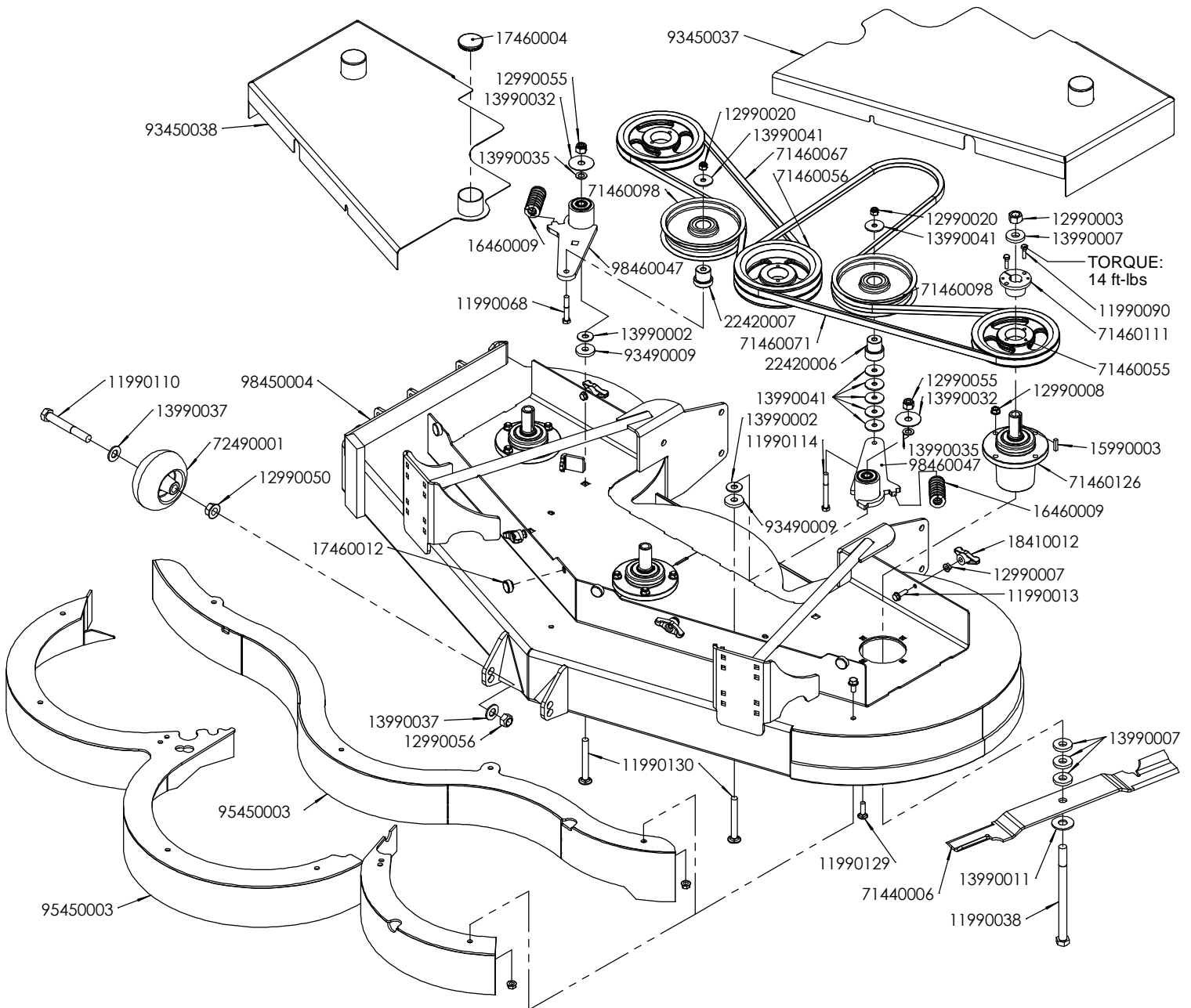
PN	DESCRIPTION	QTY
15990003	KEY, 1/4" x 1/4" x 1" MODIFIED	1
15990004	KEY, 5mm x 5mm x 25mm	2
15990039	TRIM, CLIP, FULL VINYL COATED, 0.375	1
16410002	3" COMPRESSION SPRING	1
16410014	OPC EXTENSION SPRING	1
16460009	DIE SPRING, 2.500	1
52410003	SWITCH, NORMAL OPEN, BLACK	1
71410007	1.000 CLUTCH SPACER	1
71410012	1.000 x 5.250PD ENGINE PULLEY	1
71410020	1.000 x 6.75PD x 200FT-LB CW CLUTCH	1
71410021	CLUTCH WIRE, 19"	1
71460009	PULLEY, BACK SIDE IDLER (5.00in RUNNING DIA)	1
71460042	TAPERED BUSHING, 17mm BORE	2
71460060	PULLEY, A-B 5.50in SINGLE GROOVE H BORE	2
71460064	BELT, PUMP DRIVE	1
72490001	WHEEL, ANTI-SCALP	2
87410009	WZK PLATFORM BUSHING SPANNER	2
93410279	TRACTOR BODY WELDMENT	1
93410283	CLUTCH STOP	1
93410287	OPC TRIGGER	1
93410288	PUMP LEVER	2
93490009	WASHER, FLAT, 1/2 x 1 1/2 x 1/4 Z5	1
98460048	IDLER ARM ASSEMBLY, RIGHT, 7"	1



61 DECK ASSEMBLY

PN	DESCRIPTION	QTY
11990013	BOLT FLANGE LOCK, 5/16-18 x 1 Z5	4
11990038	BOLT, HEX, 5/8-11 x 9 Z5	3
11990068	BOLT, HEX, 3/8-16 x 2 1/4 Z5	1
11990090	BOLT, HEX, 1/4-20 x 1 P8	6
11990110	BOLT, HEX, 5/8-11 x 4 1/2 Z5	2
11990114	BOLT HEX, 3/8-16 x 3 1/4 Z5	1
11990129	BOLT, CARRIAGE, 3/8-16 x 1 1/4 Z5	12
11990130	BOLT CARRIAGE, 1/2-13 x 4 Z5	2
12990003	NUT, HEX, 5/8-11 Z5	3
12990007	NUT, FLANGE LOCK, 5/16-18 Z5	4
12990008	NUT, FLANGE LOCK, 3/8-16 Z5	12
12990020	NUT, NYLOCK, 3/8-16 Z5	2
12990050	NUT, FLANGE LOCK, 5/8-11 Z5	2
12990055	NUT NYLOCK, 1/2-13 Z5	2
12990056	NUT, TOP LOC, 5/8-11 Z5	2
13990002	WASHER, FLAT, 7/16 Z5	2
13990007	MACHINE BUSHING, 5/8 x 1 1/2 x 1/4 Z	12
13990011	WASHER, FLAT, 5/8 Z5	3
13990032	WASHER, FLAT, 1/2 x 2 x 0.062 Z5	2
13990035	MACHINE BUSHING, 1/2 x 7/8 x 14GA	2
13990037	WASHER, FLAT, 5/8 x 1 3/8 x 0.110 Z5	4
13990041	WASHER, FLAT, 3/8 x 1 1/2 x 0.15 Z5	8

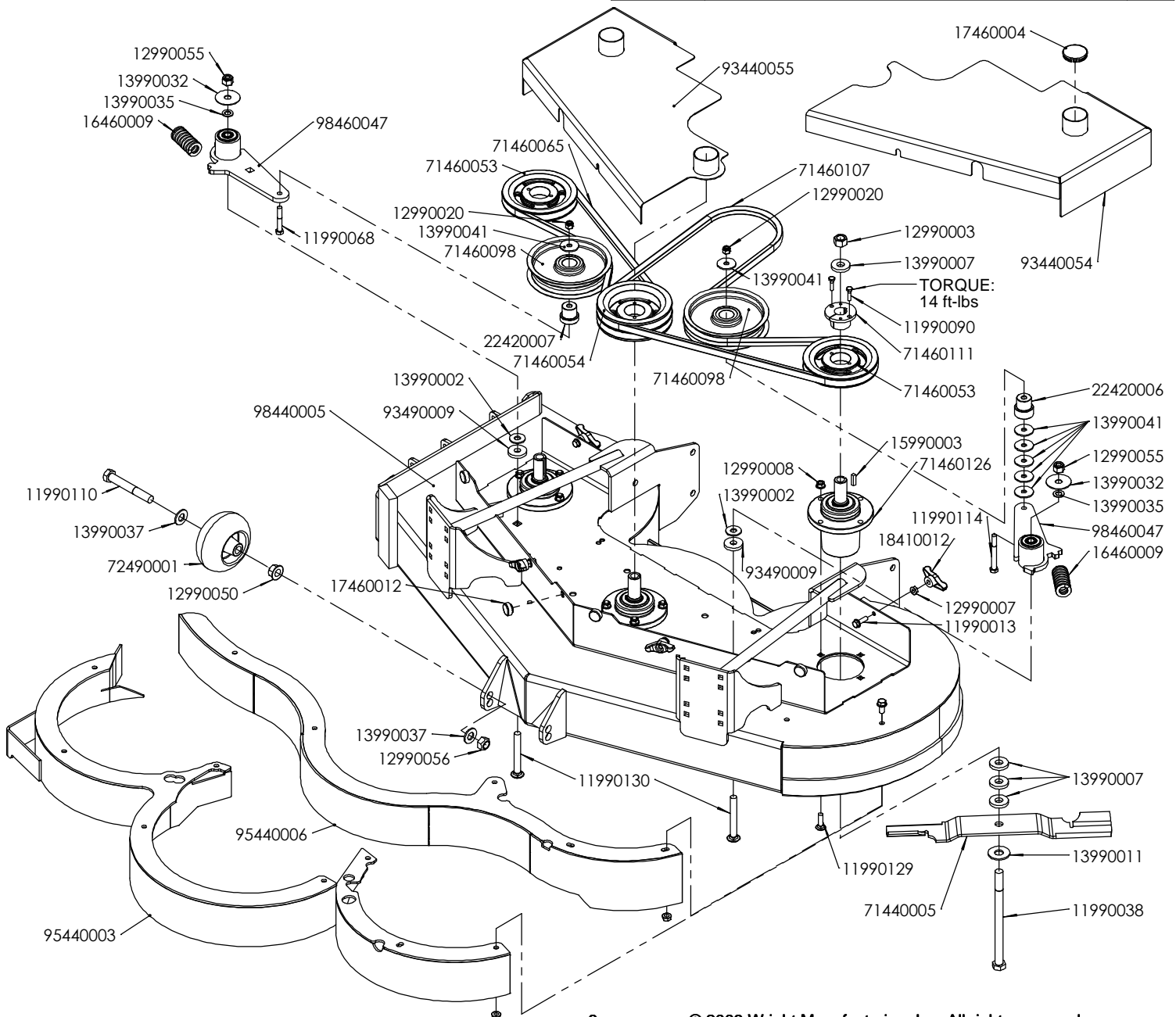
PN	DESCRIPTION	QTY
15990003	KEY 0.250 x 0.250 x 1.000	3
16460009	DIE SPRING, 2.500	2
17460004	METAL HOLE PLUG, 2.000	3
17460012	RUBBER BUMPER	4
18410012	DECK COVER KNOB, 0.312	4
22420006	BORE ADAPTOR, 30mm x 1.619L	1
22420007	BORE ADAPTER, 30mm x 1.319L	1
71440006	BLADE, 21.00 W-OFFSET (.5in)	3
71460055	PULLEY, A-B 7.00in SINGLE GROOVE H BORE	2
71460056	PULLEY, A-B 7.00in DOUBLE GROOVE H BORE	1
71460067	DRIVE BELT BB	1
71460071	DRIVE BELT EB	1
71460098	PULLEY, 6IN BACKSIDE IDLER	2
71460111	PULLEY HUB, H-BORE x 1.000 MODIFIED	3
71460126	SPINDLE, ASSEMBLY STANDER	3
72490001	WHEEL, ANTI-SCALP	2
93450037	61 DECK COVER, LEFT	1
93450038	61 DECK COVER, RIGHT	1
93490009	WASHER, FLAT, 1/2 x 1 1/2 x 1/4 Z5	2
95450003	MULCH KIT, CURVED, 61in	1
95450005	61 DECK BAFFLE KIT, FRONT	1
98460047	IDLER ARM ASSEMBLY, RIGHT, 7"	2



52 DECK ASSEMBLY

PN	DESCRIPTION	QTY
11990013	BOLT FLANGE LOCK, 5/16-18 x 1 Z5	4
11990038	BOLT, HEX, 5/8-11 x 9 Z5	3
11990068	BOLT, HEX, 3/8-16 x 2 1/4 Z5	1
11990090	BOLT, HEX, 1/4-20 x 1 P8	6
11990110	BOLT, HEX, 5/8-11 x 4 1/2 Z5	2
11990114	BOLT HEX, 3/8-16 x 3 1/4 Z5	1
11990129	BOLT, CARRIAGE, 3/8-16 x 1 1/4 Z5	12
11990130	BOLT CARRIAGE, 1/2-13 x 4 Z5	2
12990003	NUT, HEX, 5/8-11 Z5	3
12990007	NUT, FLANGE LOCK, 5/16-18 Z5	4
12990008	NUT, FLANGE LOCK, 3/8-16 Z5	12
12990020	NUT, NYLOCK, 3/8-16 Z5	2
12990050	NUT, FLANGE LOCK, 5/8-11 Z5	2
12990055	NUT NYLOCK, 1/2-13 Z5	2
12990056	NUT, TOP LOC, 5/8-11 Z5	2
13990002	WASHER, FLAT, 7/16 Z5	2
13990007	MACHINE BUSHING, 5/8 x 1 1/2 x 1/4 Z	12
13990011	WASHER, FLAT, 5/8 Z5	3
13990032	WASHER, FLAT, 1/2 x 2 x 0.062 Z5	2
13990035	MACHINE BUSHING, 1/2 x 7/8 x 14GA	2
13990037	WASHER, FLAT, 5/8 x 1 3/8 x 0.110 Z5	4
13990041	WASHER, FLAT, 3/8 x 1 1/2 x 0.15 Z5	7

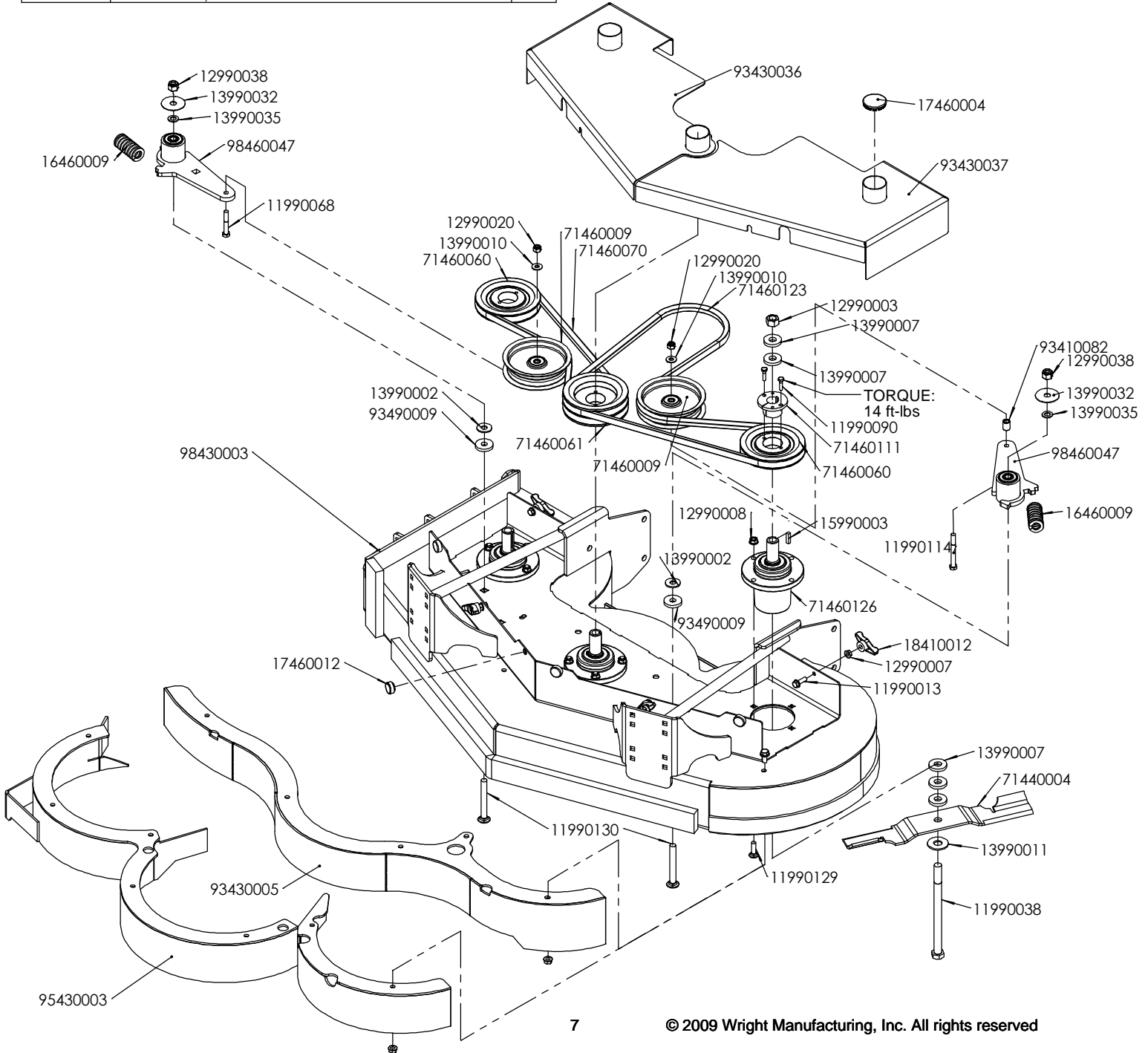
PN	DESCRIPTION	QTY
15990003	KEY 0.250 x 0.250 x 1.000	3
16460009	DIE SPRING, 2.500	2
17460004	METAL HOLE PLUG, 2.000	3
17460012	RUBBER BUMPER	4
18410012	DECK COVER KNOB, 0.312	4
22420006	BORE ADAPTOR, 30mm x 1.619L	1
22420007	BORE ADAPTER, 30mm x 1.319L	1
71440005	BLADE, 18.00 W-OFFSET (.5in)	3
71460053	PULLEY, SINGLE GROOVE H BORE	2
71460054	PULLEY, DOUBLE GROOVE H BORE	1
71460065	DRIVE BELT	1
71460098	PULLEY, 6IN BACKSIDE IDLER	2
71460107	DRIVE BELT	1
71460111	PULLEY HUB, H-BORE x 1.000 MODIFIED	3
71460126	SPINDLE, ASSEMBLY STANDER	3
72490001	WHEEL, ANTI-SCALP	2
93440054	52 DECK COVER, LEFT	1
93440055	52 DECK COVER, RIGHT	1
93490009	WASHER, FLAT, 1/2 x 1 1/2 x 1/4 Z5	2
95440003	52 MULCH KIT ASSEMBLY	1
95440006	61 DECK BAFFLE KIT, FRONT	1
98440005	52 CUTTER DECK ASSEMBLY	1
98460047	IDLER ARM ASSEMBLY, RIGHT, 7"	2



48 DECK ASSEMBLY

PN	DESCRIPTION	QTY
11990013	BOLT FLANGE LOCK, 5/16-18 x 1 Z5	4
11990038	BOLT, HEX, 5/8-11 x 9 Z5	3
11990068	BOLT, HEX, 3/8-16 x 2 1/4 Z5	1
11990090	BOLT, HEX, 1/4-20 x 1 P8	6
11990114	BOLT HEX, 3/8-16 x 3 1/4 Z5	1
11990129	BOLT, CARRIAGE, 3/8-16 x 1 1/4 Z5	12
11990130	BOLT CARRIAGE, 1/2-13 x 4 Z5	2
12990003	NUT, HEX, 5/8-11 Z5	3
12990007	NUT, FLANGE LOCK, 5/16-18 Z5	4
12990008	NUT, FLANGE LOCK, 3/8-16 Z5	12
12990020	NUT, NYLOCK, 3/8-16 Z5	2
12990038	NUT NYLOCK, 1/2-20 Z5	2
13990002	WASHER, FLAT, 7/16 Z5	2
13990007	MACHINE BUSHING, 5/8 x 1 1/2 x 1/4 Z	15
13990010	WASHER, FLAT, 5/16 Z5	2
13990011	WASHER, FLAT, 5/8 Z5	3
13990032	WASHER, FLAT, 1/2 x 2 x 0.062 Z5	2
13990035	MACHINE BUSHING, 1/2 x 7/8 x 14GA	2
15990003	KEY 0.250 x 0.250 x 1.000	3
16460009	DIE SPRING, 2.500	2

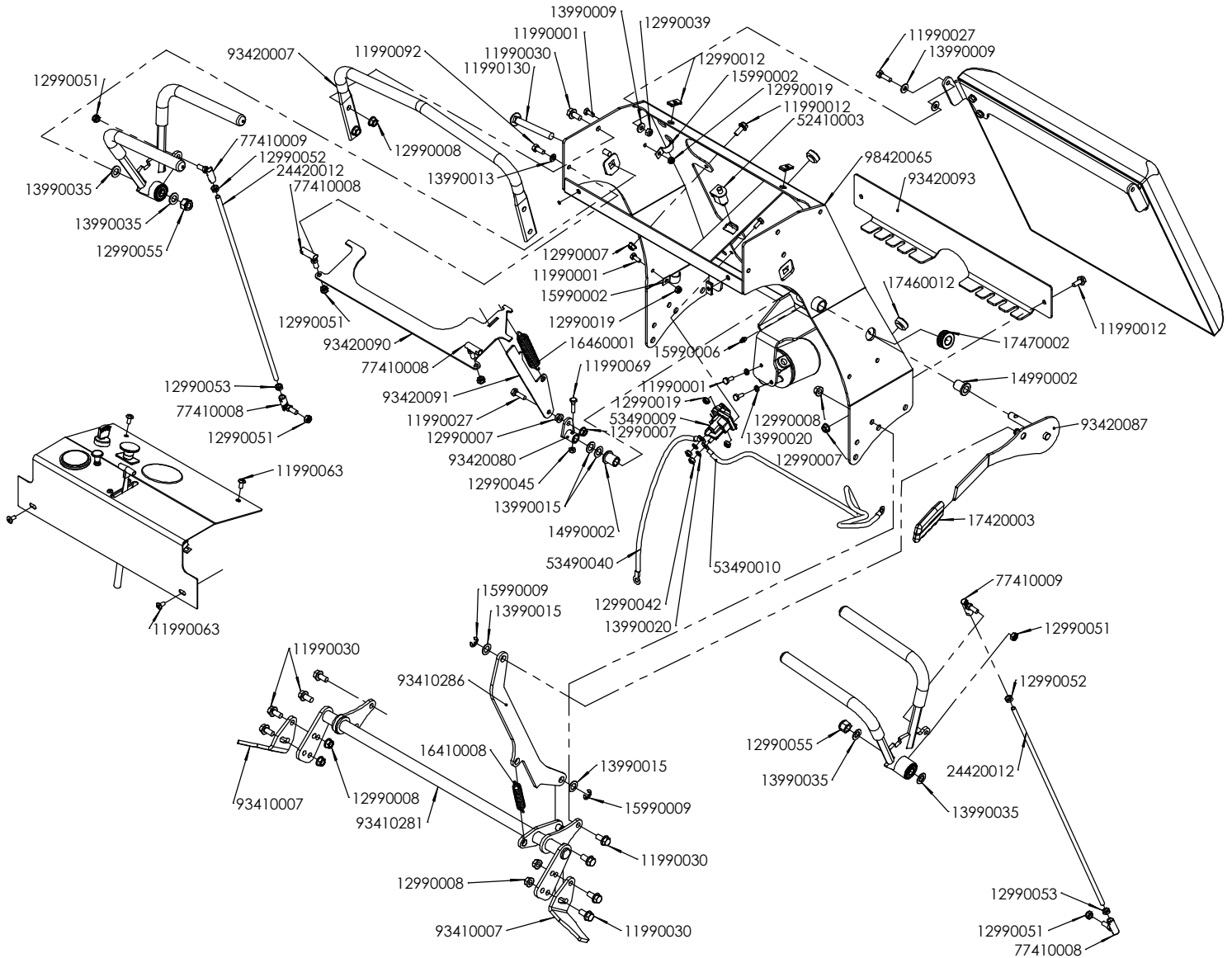
PN	DESCRIPTION	QTY
17460004	METAL HOLE PLUG, 2.000	3
17460012	RUBBER BUMPER	4
18410012	DECK COVER KNOB, 0.312	4
71440004	BLADE, 16.50 W-OFFSET (.5in)	3
71460009	PULLEY, BACK SIDE IDLER (5.00in RUNNING DIA)	2
71460060	PULLEY, A-B 5.50in SINGLE GROOVE H BORE	2
71460061	DRIVE, PULLEY, DOUBLE GROOVE H BORE 5.500 OD	1
71460070	BLADE TO BLADE BELT	1
71460111	PULLEY HUB, H-BORE x 1.000 MODIFIED	3
71460123	ENGINE TO BLADE BELT	1
71460126	SPINDLE, ASSEMBLY STANDER	3
93410082	WV PULLEY SPANNER	1
93430005	48 DECK FRONT BAFFLE (.375) ASSEMBLY	1
93430036	ST2 48 DECK COVER, RIGHT	1
93430037	ST2 52 DECK COVER, LEFT	1
93490009	WASHER, FLAT, 1/2 x 1 1/2 x 1/4 Z5	2
95430003	48 MULCH KIT ASSEMBLY	1
98430003	48 CUTTER DECK ASSEMBLY	1
98460047	IDLER ARM ASSEMBLY, RIGHT, 7"	2



UPRIGHT ASSEMBLY

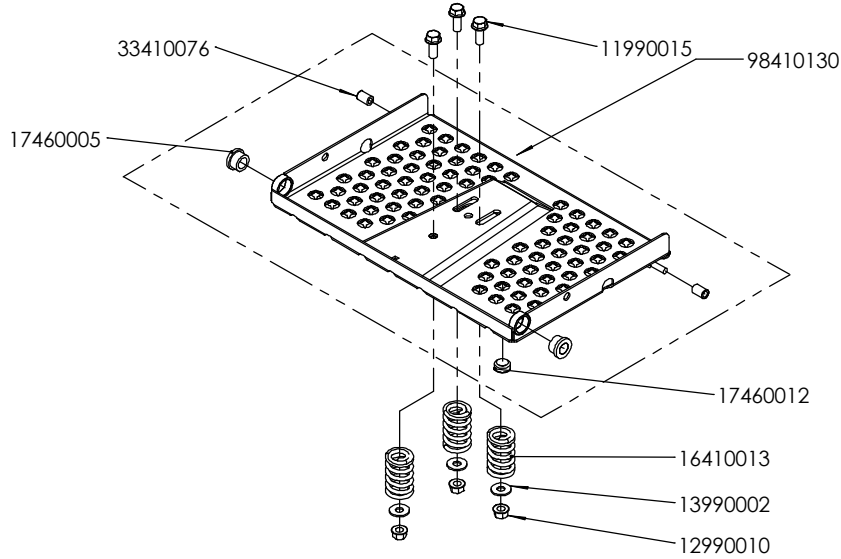
PN	DESCRIPTION	QTY
11990001	BOLT HEX, 1/4-20 x 5/8 Z5	6
11990012	BOLT, FLANGE LOCK, 5/16-18 x 3/4 Z5	6
11990027	BOLT, HEX, 5/16-18 x 1 Z5	3
11990030	BOLT, FLANGE LOCK, 3/8-16 x 3/4 Z5	12
11990063	SCREW PHILLIPS, 1/4-20 x 1/2 SS	4
11990069	BOLT, HEX, 1/4-20 x 1 Z5	1
11990092	HARDWARE, BOLT HEX, 5/16-24 x 3/4 Z5	2
11990130	BOLT CARRIAGE, 1/2-13 x 4 Z5	2
12990007	NUT, FLANGE LOCK, 5/16-18 Z5	8
12990008	NUT, FLANGE LOCK, 3/8-16 Z5	11
12990012	NUT 'U', 1/4-20 FOR 11 GA	3
12990019	NUT, NYLOCK, 1/4-20 Z5	4
12990039	NUT, TOP LOCK 5/16-18 Z5	2
12990042	NUT, JAM, 1/4-20 Z5	2
12990045	NUT, TOP LOCK, 1/4-20 Z5	1
12990051	NUT NYLOCK, 5/16-24 Z5	6
12990052	NUT HEX, 5/16-24 LH Z5	2
12990053	NUT HEX, 5/16-24 Z5	2
12990055	NUT NYLOCK, 1/2-13 Z5	2
13990009	WASHER, FLAT, 1/4 Z5	6
13990013	WASHER SPLIT LOCK, 5/16 Z5	2
13990015	MACHINE BUSHING, 1/2 x 7/8 x 18GA PLAIN	4
13990020	WASHER, SPLIT LOCK, 1/4 Z5	4
13990035	MACHINE BUSHING, 1/2 x 7/8 x 14GA	4
14990002	BRONZE BEARING 0.500 x 1.000	2

PN	DESCRIPTION	QTY
15990002	HALF CLIP	2
15990006	GREASE FITTING, STRAIGHT, 1/4-28	1
15990009	E-CLIP, 0.500 x 0.050	2
16410008	SPRING, EXTENSION, 2.5 in Z	1
16460001	SPRING, EXTENSION, 0.750 x 3.500	1
17420003	GRIP	1
17460012	RUBBER BUMPER	2
17470002	GROMMET, 0.688 x 1.000 x 0.250	1
24420012	CONTROL ROD, 23in	2
52410003	SWITCH, NORMAL OPEN, BLACK	1
53490009	SOLENOID	1
53490010	WIRE, 6 AWG x 38in RED W/LUG INSUL.	1
53490040	WIRE, 6 AWG x 19" RED	1
77410008	BALL END, 5/16-24 RH	4
77410009	BALL END, 5/16-24 LH	2
93410007	BRAKE SHOE	2
93410281	BRAKE BAR	1
93410286	BRAKE PULL BAR	1
93420007	STATIONARY HANDLEBAR	1
93420080	CONTROL LOCK LEVER	1
93420087	BRAKE LEVER	1
93420090	CONTROL LEVER LOCK	1
93420091	CONTROL RELEASE BAR	1
93420093	FAN GUARD	1
98420065	UPRIGHT ASSEMBLY	1



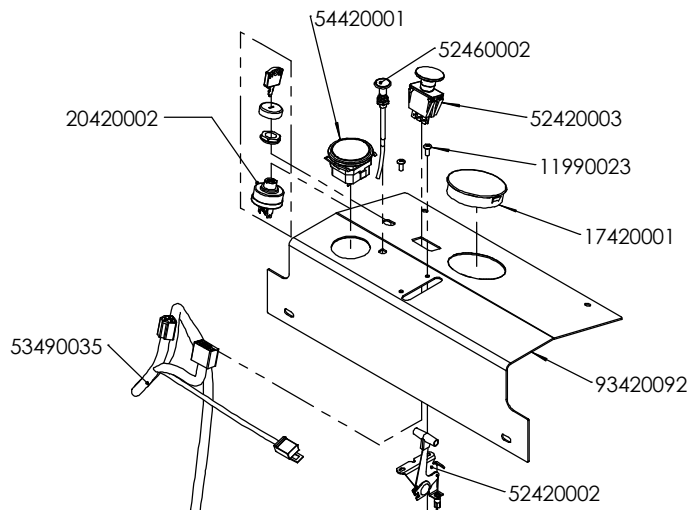
PLATFORM ASSEMBLY

PN	DESCRIPTION	QTY
11990015	BOLT, FLANGE LOCK, 1/2-13 x 1 1/4 Z5	3
12990010	NUT, FLANGE LOCK, 1/2-13 Z5	3
13990002	WASHER, FLAT, 7/16 Z5	3
16410013	SPRING, PLATFORM SUSPENSION	3
17460005	URETHANE BUSHING, .75 X 1.125 X .75	2
17460012	RUBBER BUMPER	1
33410076	PLATFORM STOP, HOSE 0.375 x 0.875	2
98410130	PLATFORM ASSEMBLY	1



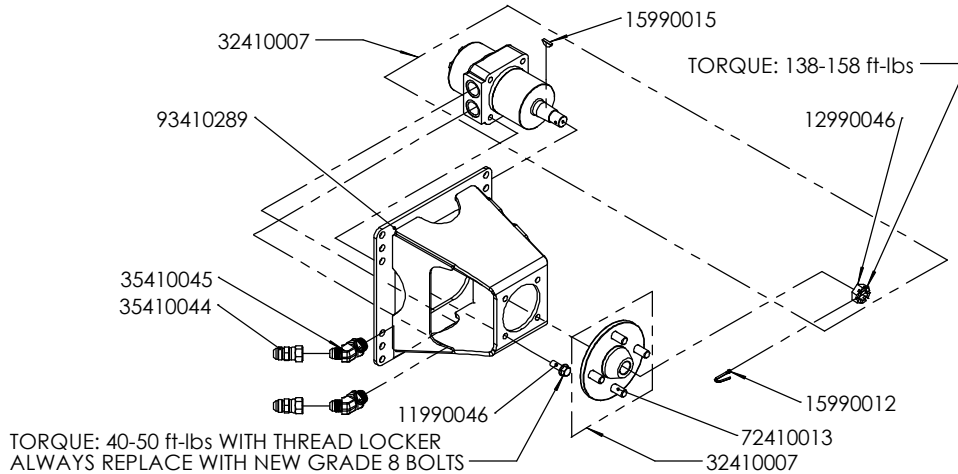
INSTRUMENT PANEL

PN	DESCRIPTION	QTY
11990023	SCREW PHILLIPS, 10-32 x 1/2 Z5	2
12990015	NUT, KEP 10-32 Z5	2
17420001	PLUG, PANEL, BLACK	1
20420002	IGNITION SWITCH FOR ELECTRIC START	1
52420002	THROTTLE CONTROL	1
52420003	PTO BLADE SWITCH	1
52460002	CHOKE CABLE WITH NUT	1
53490035	ELECTRICAL WIRE HARNESS	1
54420001	HOUR METER	1
93420092	INSTRUMENT PANEL	1



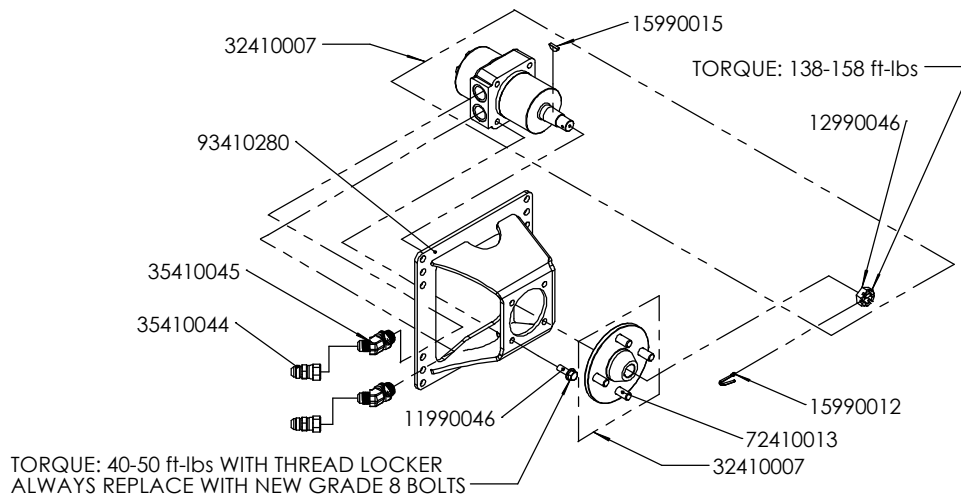
MOTOR SUPPORT ASSEMBLY FOR 61"

PN	DESCRIPTION	QTY
11990046	HARDWARE, BOLT FLANGE LOCK, 3/8-16 x 1 Z8	4
12990046	NUT CASTLE, 3/4-20	1
15990012	PIN COTTER, 0.125 x 2.50	1
15990015	WOODRUFF KEY, 3/16 x 3/4, SAE J502	1
32410007	WHEEL HUB, 0.000 OFFSET	1
32410007	HYDRO-GEAR, HGM-15P	1
35410044	FITTING, -08 FJIC x -08 MJIC, STRAIGHT	2
35410045	FITTING, -10 ORB x -8 JIC, 45-DEG	2
72410013	STUD, 1/2-20 x 1.000 FOR HUB	4
93410289	WHEEL MOTOR SUPPORT	1



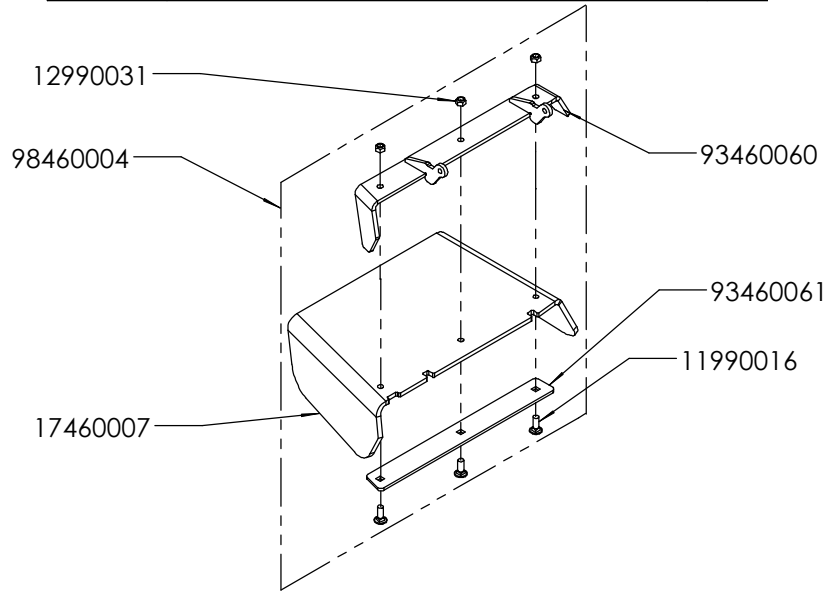
MOTOR SUPPORT ASSEMBLY FOR 48" AND 52"

PN	DESCRIPTION	QTY
11990046	HARDWARE, BOLT FLANGE LOCK, 3/8-16 x 1 Z8	4
12990046	NUT CASTLE, 3/4-20	1
15990012	PIN COTTER, 0.125 x 2.50	1
15990015	WOODRUFF KEY, 3/16 x 3/4, SAE J502	1
32410007	WHEEL HUB, 0.000 OFFSET	1
32410007	HYDRO-GEAR, HGM-15P	1
35410044	FITTING, -08 FJIC x -08 MJIC, STRAIGHT	2
35410045	FITTING, -10 ORB x -8 JIC, 45-DEG	2
72410013	STUD, 1/2-20 x 1.000 FOR HUB	4
93410280	WHEEL MOTOR SUPPORT	1



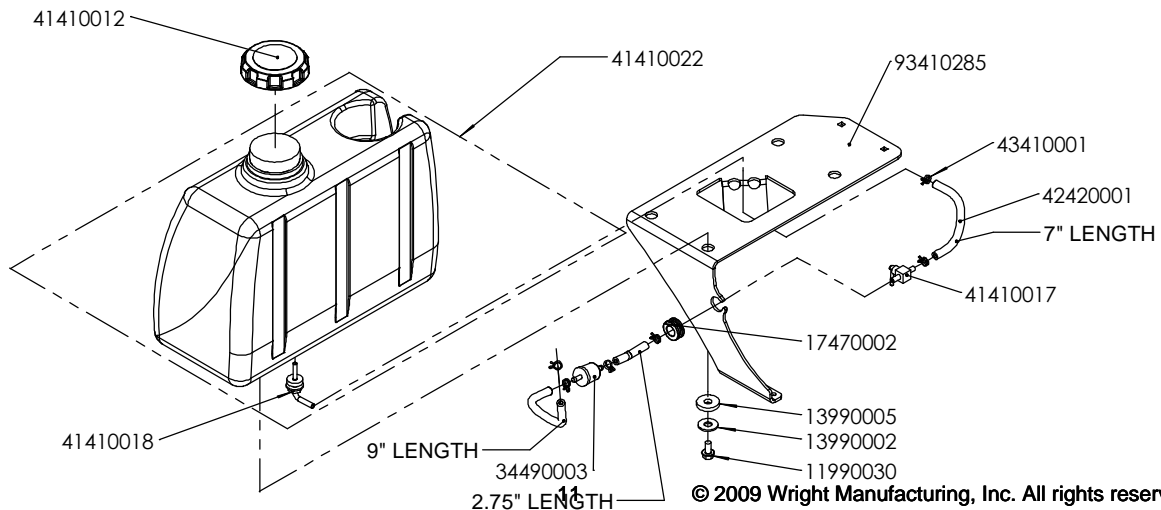
FLEXIBLE CHUTE DEFLECTOR

PN	DESCRIPTION	QTY
11990016	BOLT CARRIAGE, 3/8-16 x 1 Z5	3
12990031	NUT, TOP LOCK 3/8-16 Z5	3
17460007	FLEXIBLE CHUTE DEFLECTOR, RUBBER	1
93460060	FLEXIBLE CHUTE DEFLECTOR FLANGE	1
93460061	FLEXIBLE CHUTE DEFLECTOR, CLAMP PLATE	1
98460004	CHUTE DEFLECTOR ASSEMBLY	1



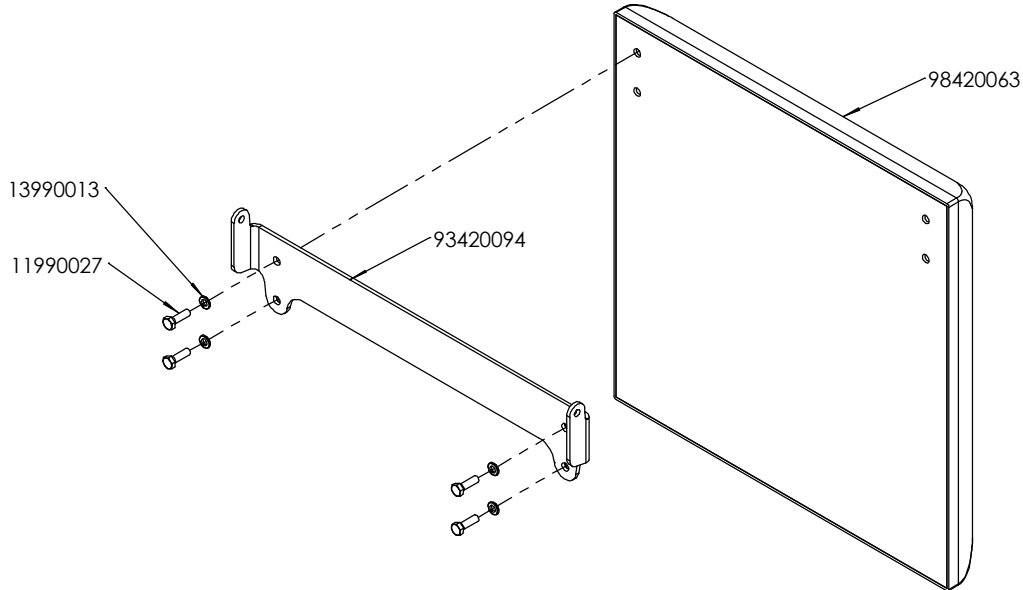
FUEL TANK ASSEMBLY

PN	DESCRIPTION	QTY
11990030	BOLT, FLANGE LOCK, 3/8-16 x 3/4 Z5	4
13990002	WASHER, FLAT, 7/16 Z5	4
13990005	RUBBER WASHER 0.500 x 1.4375 x 0.250	4
17470002	GROMMET, 0.688 x 1.000 x 0.250	1
34490003	FUEL FILTER	1
41410012	FUEL TANK CAP, 3" OPENING	1
41410017	FUEL VALVE, INLINE	1
41410018	FUEL, FITTING, OUTLET PORT 90 DEG	1
41410022	STANDER FUEL TANK	1
42420002	HOSE, 1/4 FUEL	1
43410001	1/4" HOSE CLAMP	6
93410285	FUEL TANK SUPPORT	1



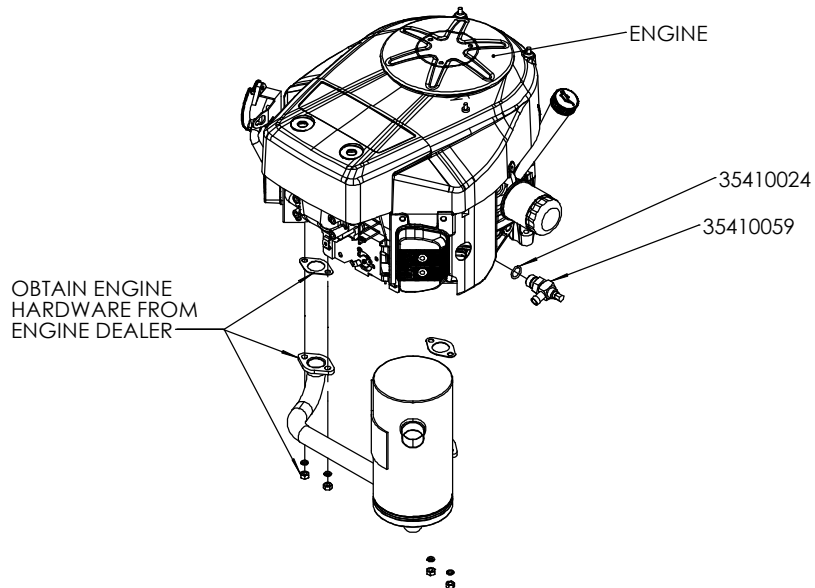
UPRIGHT PAD

PN	DESCRIPTION	QTY
11990027	BOLT, HEX, 5/16-18 x 1 Z5	4
13990013	WASHER SPLIT LOCK, 5/16 Z5	4
93420094	PAD HINGE	1
98420063	PAD	1



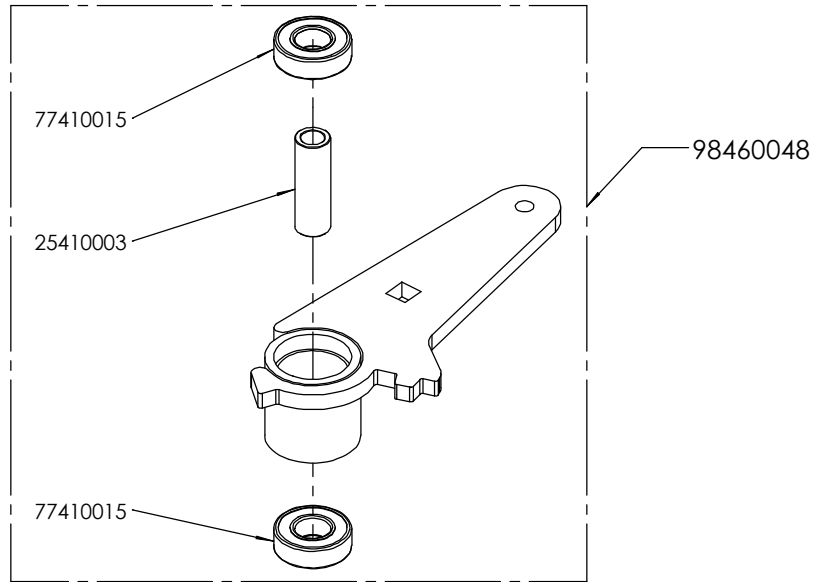
ENGINE ASSEMBLY

PN	DESCRIPTION	QTY
ENGINE	ENGINE, OBTAIN FROM ENGINE DEALER	1
35410059	OIL DRAIN VALVE	1
35410024	O-RING, FOR OIL DRAIN	1



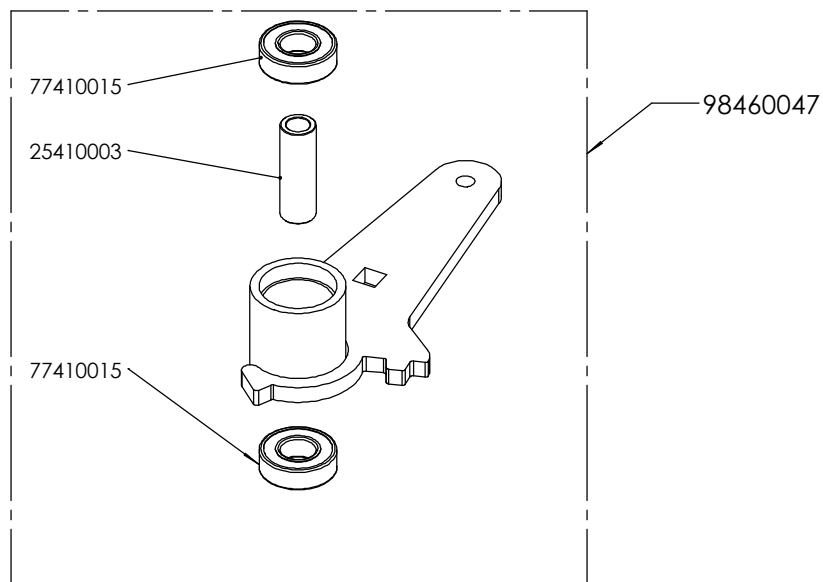
RIGHT IDLER ARM ASSEMBLY

PN	DESCRIPTION	QTY
25410003	CIS BEARING BUSHING	1
77410015	SEALED BALL BEARING	2
98460048	RIGHT IDLER ARM ASSEMBLY	1



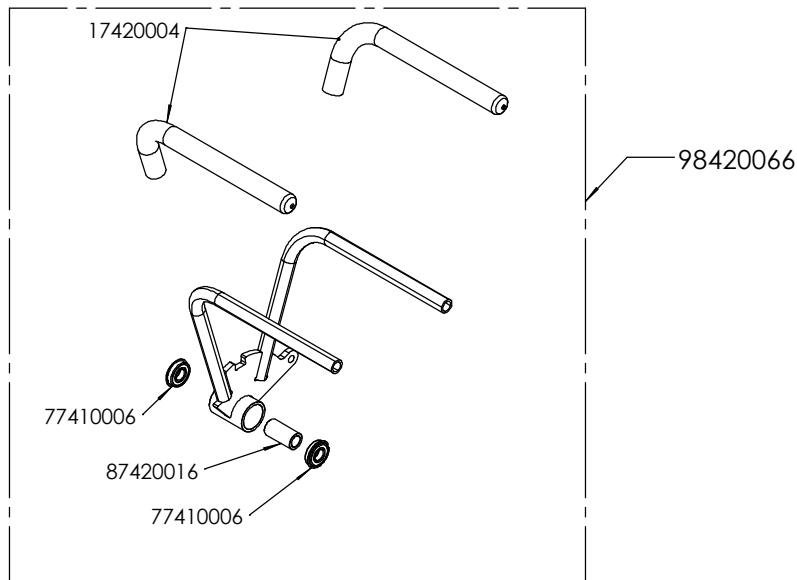
LEFT IDLER ARM ASSEMBLY

PN	DESCRIPTION	QTY
25410003	CIS BEARING BUSHING	1
77410015	SEALED BALL BEARING	2
98460047	LEFT IDLER ARM ASSEMBLY	1



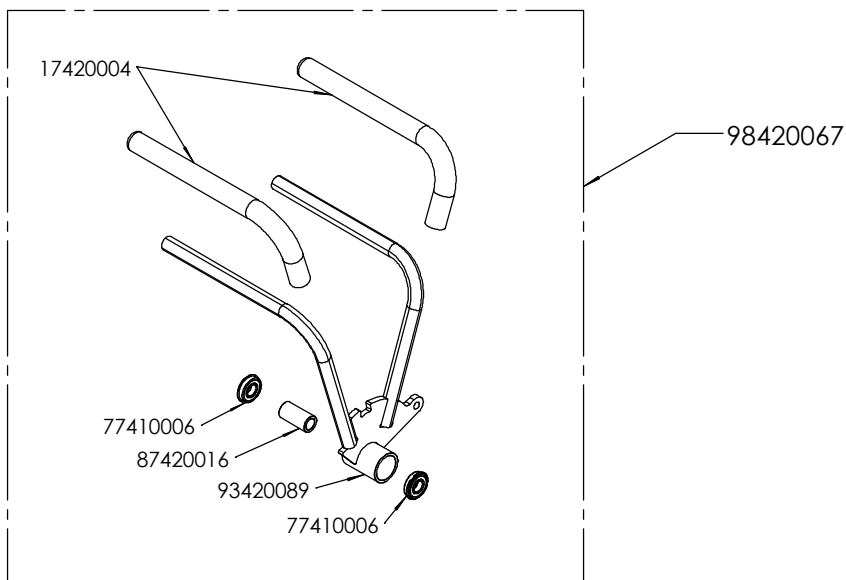
RIGHT CONTROL LEVER

PN	DESCRIPTION	QTY
17420004	GRIP, CONTROL LEVERS	2
77410006	BEARING, BALL, 0.500 x 1.125 x 0.310	2
87420016	BEARING SPANNER	1
98420066	RIGHT CONTROL LEVER ASSEMBLY	1



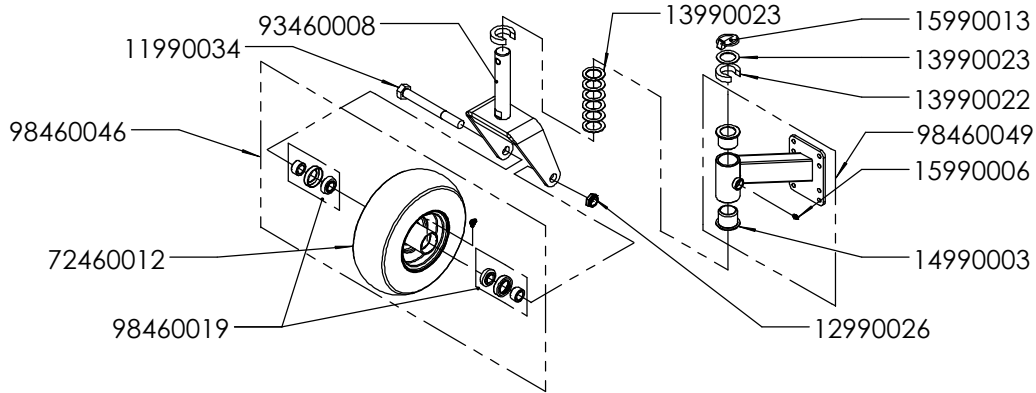
LEFT CONTROL LEVER

PN	DESCRIPTION	QTY
17420004	GRIP, CONTROL LEVERS	2
77410006	BEARING, BALL, 0.500 x 1.125 x 0.310	2
87420016	BEARING SPANNER	1
98420067	LEFT CONTROL LEVER ASSEMBLY	1



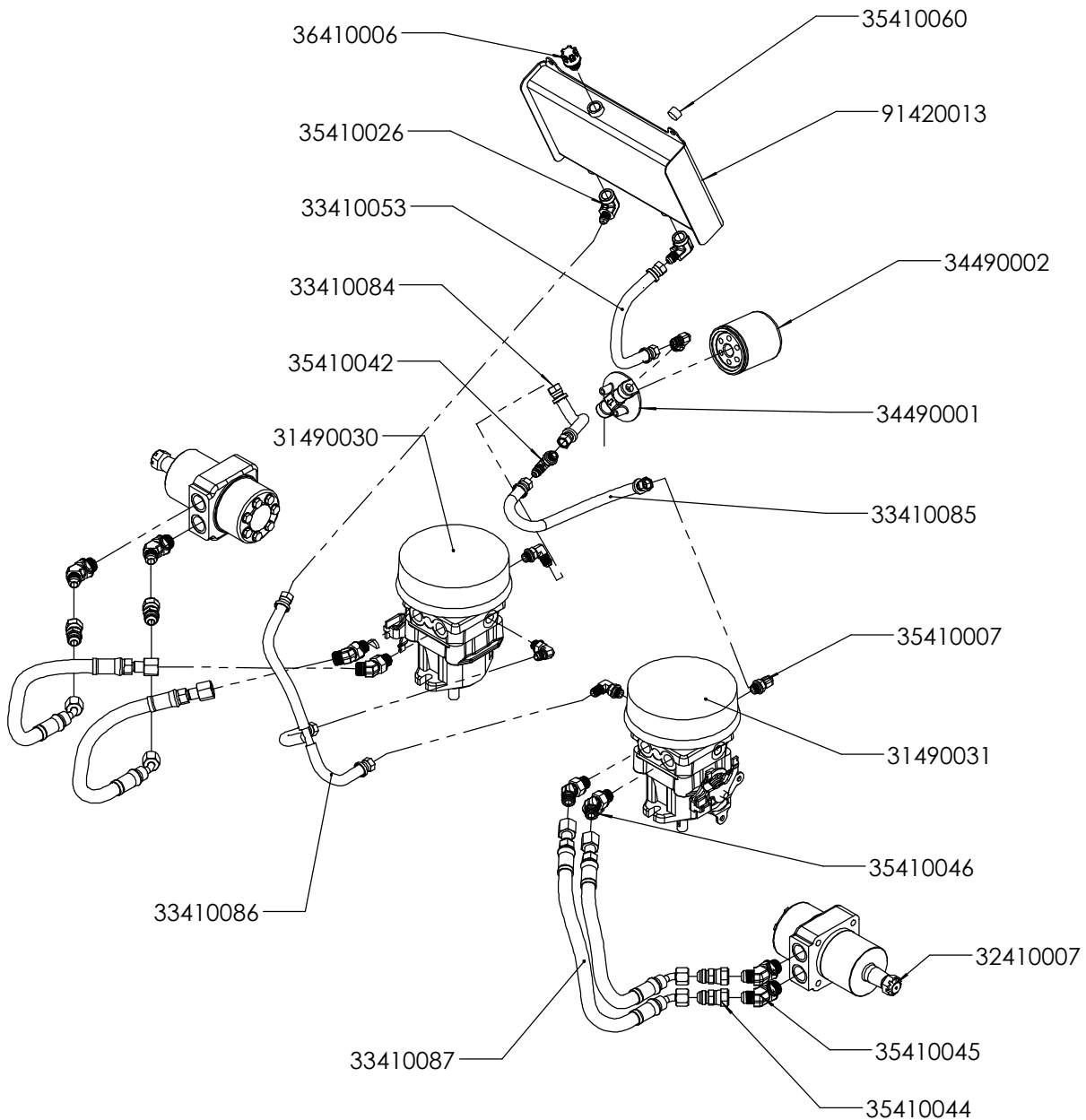
CASTER ARM ASSEMBLY

PN	DESCRIPTION	QTY.
11990034	BOLT HEX, 3/4-10 x 6 1/2 Z5	1
12990026	NUT NYLOCK, 3/4-10 Z5	1
13990022	CASTER SPACER, NOTCHED C-TYPE	2
13990023	MACHINE BUSHING, 1 1/4 X 1 7/8 X 14GA	7
14990003	BRONZE BUSHING, 1.125	2
15990006	GREASE FITTING, STRAIGHT, 1/4-28	1
15990013	LYNCH PIN	1
72460012	WHEEL, FLAT-FREE 11 X 4.00 - 5 NHS	1
93460008	CASTER YOKE	1
98460019	BEARING KIT FOR 11X400-5 CASTER WHEEL	1
98460046	CASTER WHEEL KIT, 11 X 400-5 WITHOUT CUP	1



HYDRO SYSTEM

PN	DESCRIPTION	QTY.
31490030	RIGHT 12cc HYDRO PUMP	1
31490031	LEFT 12cc HYDRO PUMP	1
32410007	WHEEL MOTOR 15P	2
33410053	HOSE, TANK-FILTER	1
33410084	HOSE, FILTER-RIGHT PUMP	1
33410085	HOSE, FILTER-LEFT PUMP	1
33410086	HOSE, PUMPS-TANK RETURN	1
33410087	HOSE, PUMP-MOTOR	4
34490001	FILTER HOUSING BLOCK	1
34490002	HYDRO FILTER	1
35410007	FITTING, 3/8 ORING x -6 JIC ELBOW	5
35410026	FITTING, 3/8 FPIPE x 3/8 MALE JIC ELBOW	2
35410042	FITTING, -6 JIC TEE	1
35410044	FITTING, MJIC x FJIC	4
35410045	FITTING, 45 DEGREE ELBOW	4
35410046	FITTING, ORING 45 DRGREE	4
35410060	3/8" NTP PLUG	1
36410006	HYDRO TANK VENT CAP	1
91420013	HYDRO TANK	1



Wright Stander

ELECTRIC START WIRE HARNESS WITH PTO DELAY

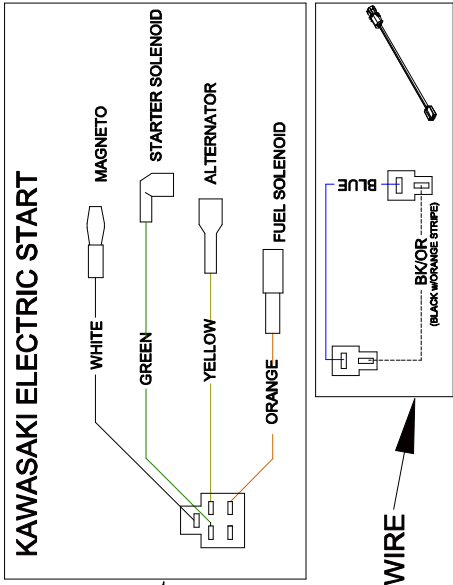
NOTE: SHOWING WIRE SIDE OF CONNECTORS
NOTE: REFERENCE INDIVIDUAL PARTS LISTS
FOR ATTACHMENT LOCATIONS



53490019 Water-Resistant Relay



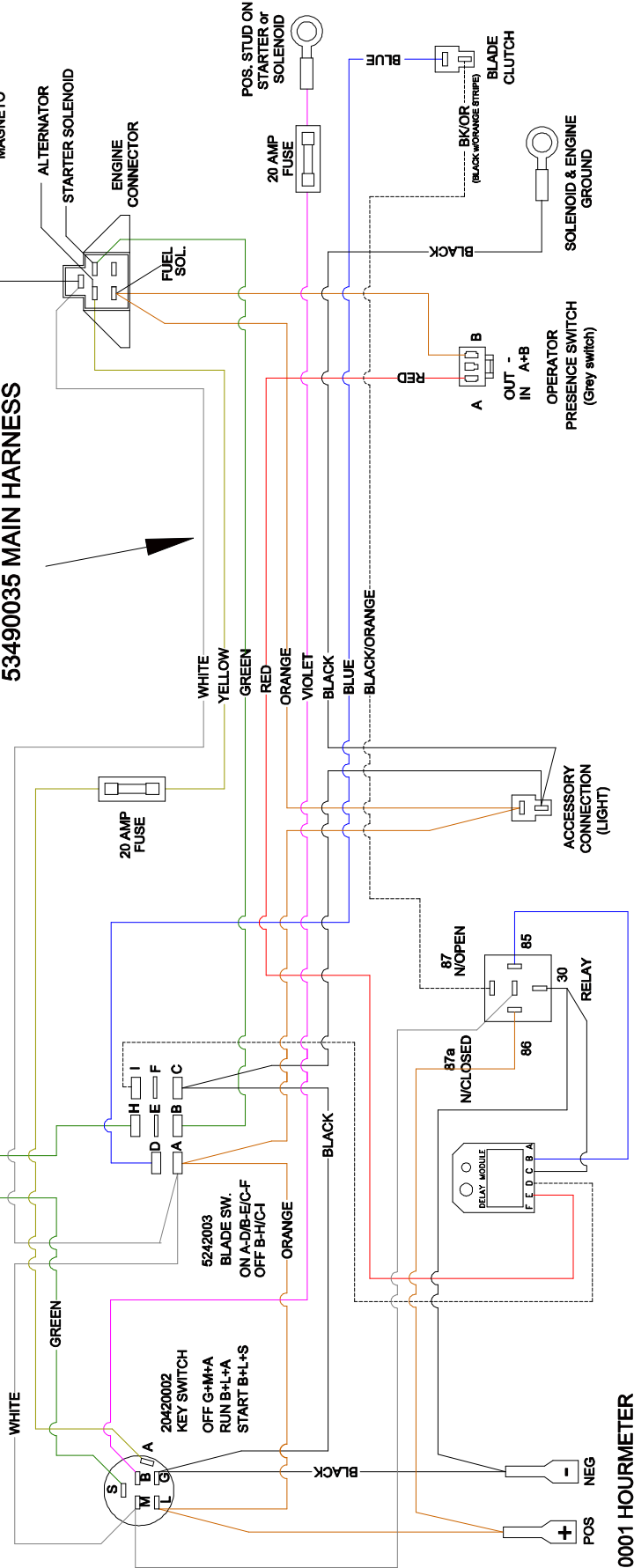
52410007 Time-Delay Module



53490017 ENGINE HARNESS

71410021 CLUTCH WIRE

53490035 MAIN HARNESS



54420001 HOURMETER

DECALS



76490004 DECAL, STANDER



76490013 DECAL, MAIN INST. PANEL



76490005 DECAL, THROTTLE / INSTRUCTIONS



(2) 76460001 DECAL, DANGER BLADE HAZARD



(2) 76490001 DECAL, SHIELD MISSING



76410001 DECAL, ALL LOGOS



76490036 DECAL, PATENT NUMBERS



76490051 DECAL, COMMERCIAL BENEFITS



(2) 76490023 DECAL, CIRCLE WITH "W"

48

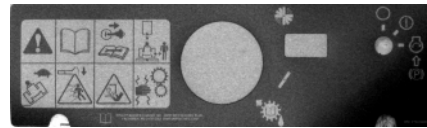
76490008 DECAL, 48" DECK SIZE

52

76490007 DECAL, 52" DECK SIZE

61

76490012 DECAL, 61" DECK SIZE



76490030 DECAL, CE MAIN INST. PANEL



76490031 DECAL, CE THROTTLE / INSTRUCTIONS



(2) 76490028 DECAL, CE DANGER BLADE HAZARD



76490029 DECAL, CE SHIELD MISSING



76490053 DECAL, PARKING BRAKE



76490045 DECAL, NOISE 100dB



76490058 DECAL, HEARING PROTECTION



4600X Wedgewood Blvd
Frederick, MD 21703
www.wrightmfg.com