

wright **STANDER[®] RH[™]**

Parts List Wright Stander Rapid-Hite Mower
(For Serial Numbers **33615** and Higher Until Superseded)

Replace with newer revisions as they become available



© 2007 Wright Manufacturing, Inc. All rights reserved

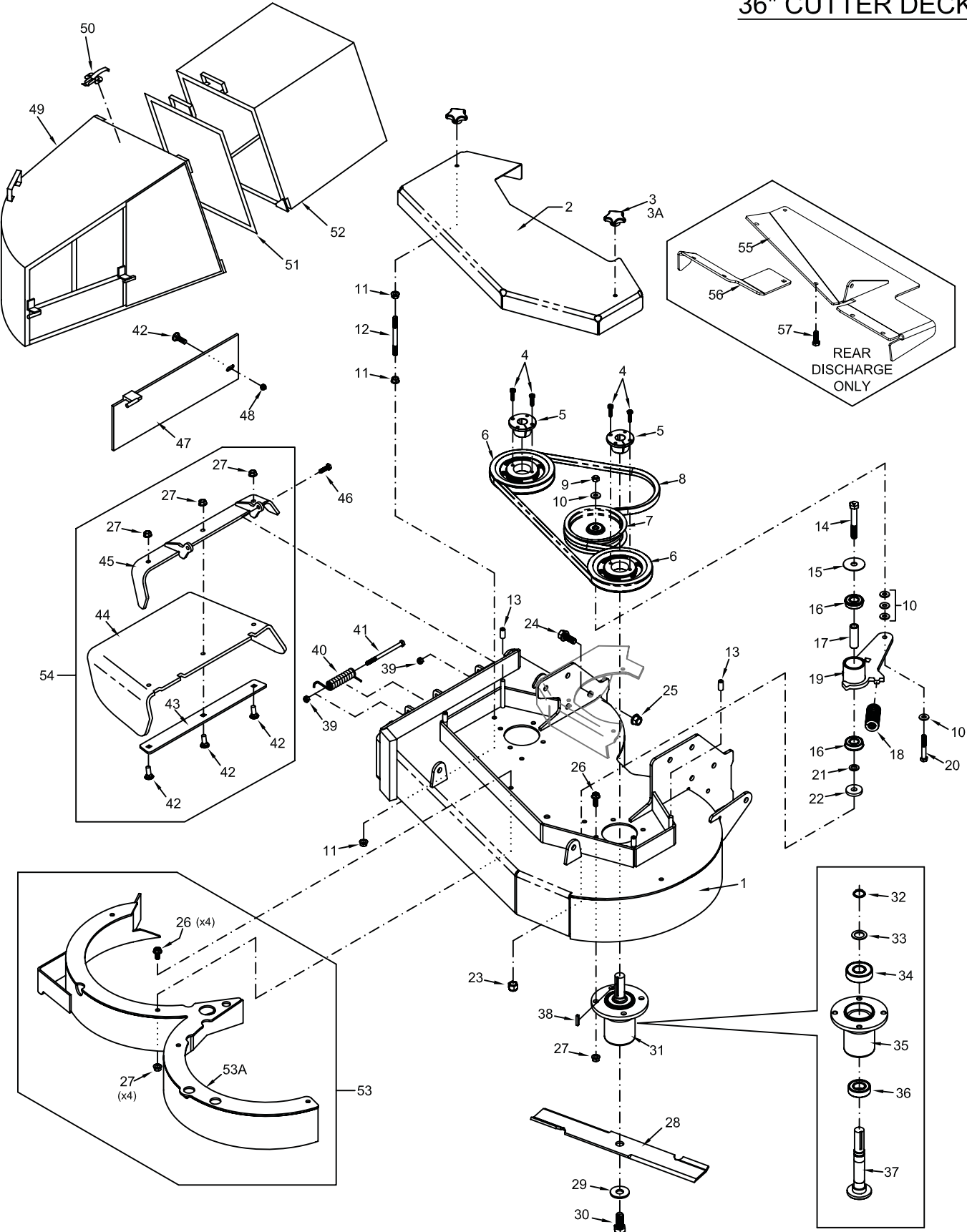
Revised: 01/07

36" CUTTER DECK

REF. #	DESCRIPTION	PART #
1	CUTTER DECK w/ #13	93470010
	REAR DISCHARGE CUTTER DECK	93470015
2	DECK COVER	93470011
3	KNOB, DECK	18410006
3A	3/8-24 NYLOCK NUT (CE MODEL)	12990047
4	BOLT, HCS, 1/4-20X1 PLAIN	11990090
5	BUSHING SPLIT TAPERED X 7/8"	71460027
6	PULLEY, SINGLE GRV	71460053
7	PULLEY, SMALL IDLER, DECK	71460009
8	BELT, WRAPPED	71460063
9	NUT, TOPLOCK 3/8-16	12990031
10	WASHER, FLAT USS 5/16 Z	13990010
11	NUT, LOCK FLANGE 3/8-24 Z	12990029
12	T-ROD, DECK COVER STAND	24410001
13	CAP, VINYL, FOR ISO POSTS	17460002
14	BOLT, HCS, 1/2-20X3.5 Z	11990089
15	WASHER, FENDER 5/16 X 1 1/4 Z	13990032
16	BEARING, BALL, FOR IDLER ARM	77410010
17	CIS BEARING BUSHING	25410003
18	SPRING, 2.5" DECK IDLER SPRING	16460009
19	IDLER ARM ASSEMBLY, LEFT, 7"	98490007
20	BOLT, HEX 3/8-16 X 2 1/2 Z5	11990004
21	MACH BUSH, 1/2 ID X 7/8 OD X 18 GA	13990015
22	IDLER ARM WASHER	93490009
23	NUT, NYLOCK 1/2-20 Z	12990038
24	BOLT, FLANGE 1/2-13 X 1 1/4 Z5	11990015
25	NUT, LOCK FLANGE 1/2-13 Z	12990010
26	BOLT, FLANGE 3/8-16 X 1 Z8	11990046
27	NUT, TOPLOCK 3/8-16	12990031
28	BLADE, 18"	71440001
29	WASHER, FLAT USS 5/8 Z	13990011
30	BOLT, HEX 5/8-18 X 1 1/2 Z5	11990058
31	SPINDLE, LONG SHAFT	71460057
32	RETAINING RING, EXTERNAL (SMALL)	71460014
33	WASHER, SMALL FOR SPINDLE	71460021
34	BEARING, SPINDLE (LARGE)	71460017
35	SPINDLE HOUSING	71460046
36	BEARING, SPINDLE (SMALL)	71460047
37	SPINDLE SHAFT, LONG SHAFT	71460058
38	MACHINE KEY 3/16 X 3/16 X 1	15990022
39	NUT, NYLOCK 5/16-18 Z	12990021
40	SPRING, TORSION FOR CHUTE DEFLECTOR	16460002
41	BOLT, HEX 5/16-18 X 4 1/2 Z5	11990003
42	BOLT, CARRIAGE 3/8 X 1 Z5	11990016
43	FLEXIBLE CHUTE DEFLECTOR CLAMP PLATE	93460061
44	CHUTE DEFLECTOR, RUBBER	17460007
45	FLEXIBLE CHUTE DEFLECTOR FLANGE	93460060
46	BOLT, HEX 5/16-18 X 1 Z5	11990027
47	MULCHING BLOCK OFF PLATE w/ #42, #48	93460024
48	NUT, LOCK FLANGE 3/8-16 Z	12990008
49	GRASS GOBBLER FOR WRIGHT (JUMBO) INCL 50,51	WRJ300-3
50	LATCH	GGL1-1
51	DOOR (JUMBO SIZE)	GGD4-4
52	LEAF GOBBLER	LG1000
53	MULCH KIT W/HARDWARE	95470002
53A	MULCH BAFFLE	93470006
54	CHUTE DEFLECTOR KIT, FLEXIBLE	95460004
55	LEFT RD BAFFLE	93470020
56	RIGHT RD BAFFLE	93470019
57	BOLT, HEX 5/16-18 X 3/4 Z5	11990028

STANDER RH

36" CUTTER DECK

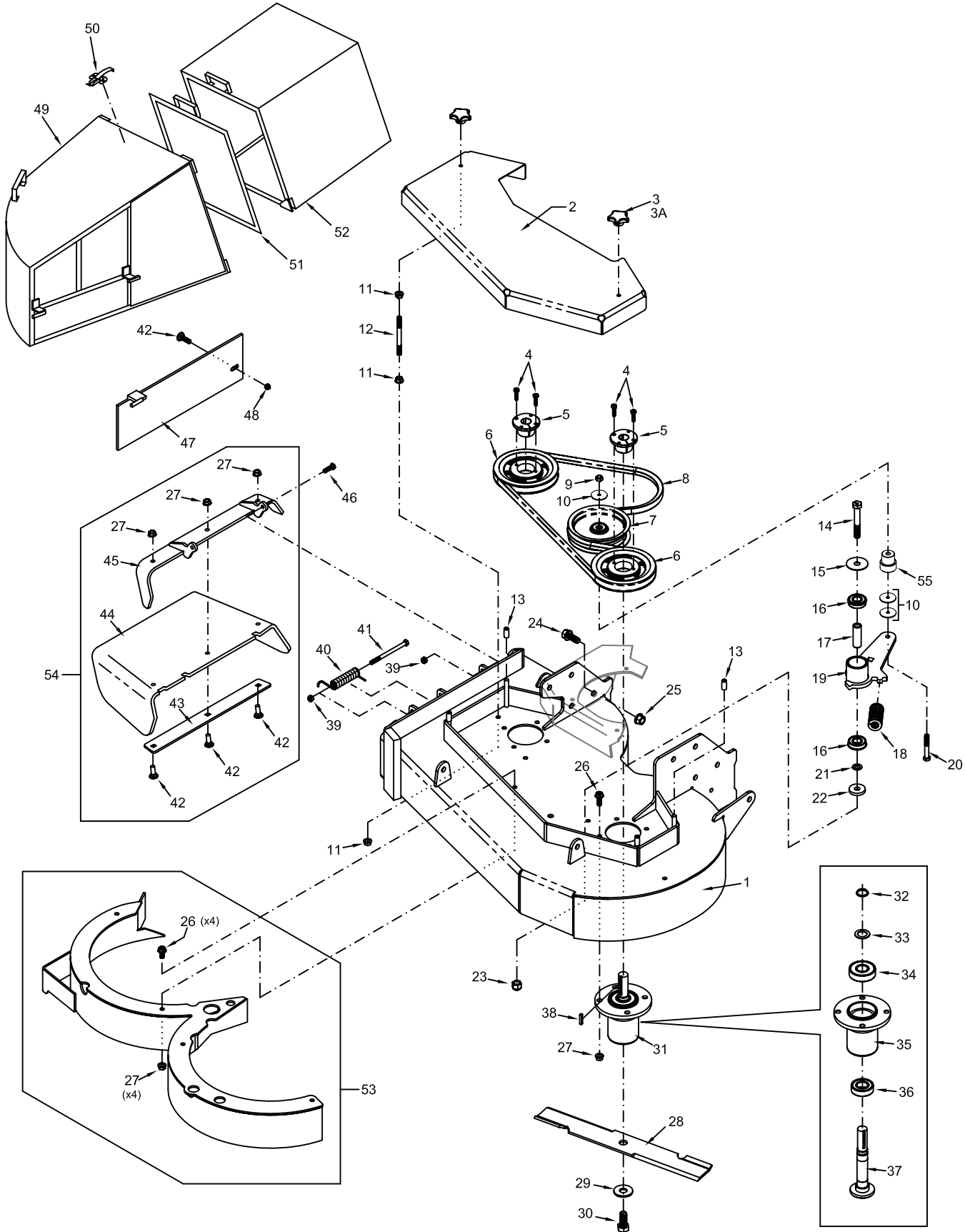


42" CUTTER DECK

REF. #	DESCRIPTION	PART #
1	42" CUTTER DECK w/ #13	98480010
2	42" DECK COVER	93480012
3	KNOB, DECK	18410006
3A	3/8-24 NYLOCK NUT (CE MODEL)	12990047
4	BOLT, HCS, 1/4-20X1 PLAIN	11990090
5	BUSHING SPLIT TAPERED X 7/8"	71460027
6	PULLEY, SINGLE GRV	71460055
7	PULLEY, IDLER, DECK	71460098
8	BELT, WRAPPED	71460013
9	NUT, TOPLOCK 3/8-16	12990031
10	WASHER, FLAT USS 3/8 x 1 1/2	13990041
11	NUT, LOCK FLANGE 3/8-24 Z	12990029
12	T-ROD, DECK COVER STAND	24410001
13	CAP, VINYL 3/8 X 1, FOR ISO POSTS	17460002
14	BOLT, HCS, 1/2-20X3.5 Z	11990089
15	WASHER, FENDER 5/16 X 1 1/4 Z	13990032
16	BEARING, BALL, FOR IDLER ARM	77410010
17	CIS BEARING BUSHING	25410003
18	SPRING, 2.5" DECK IDLER SPRING	16460009
19	IDLER ARM ASSEMBLY, LEFT, 7"	98490007
20	BOLT, HEX 3/8-16 X 2 3/4 Z5	11990006
21	MACH BUSH, 1/2 ID X 7/8 OD X 18 GA	13990015
22	IDLER ARM WASHER	93490009
23	NUT, NYLOCK 1/2-20 Z	12990038
24	BOLT, FLANGE 1/2-13 X 1 1/4 Z5	11990015
25	NUT, LOCK FLANGE 1/2-13 Z	12990010
26	BOLT, FLANGE 3/8-16 X 1 Z8	11990046
27	NUT, TOPLOCK 3/8-16	12990031
28	BLADE, 21"	71440003
29	WASHER, FLAT USS 5/8 Z	13990011
30	BOLT, HEX 5/8-18 X 1 1/2 Z5	11990058
31	SPINDLE, LONG SHAFT	71460057
32	RETAINING RING, EXTERNAL (SMALL)	71460014
33	WASHER, SMALL FOR SPINDLE	71460021
34	BEARING, SPINDLE (LARGE)	71460017
35	SPINDLE HOUSING	71460046
36	BEARING, SPINDLE (SMALL)	71460047
37	SPINDLE SHAFT, LONG SHAFT	71460058
38	MACHINE KEY 3/16 X 3/16 X 1	15990022
39	NUT, NYLOCK 5/16-18 Z	12990021
40	SPRING, TORSION FOR CHUTE DEFLECTOR	16460002
41	BOLT, HEX 5/16-18 X 4 1/2 Z5	11990003
42	BOLT, CARRIAGE 3/8 X 1 Z5	11990016
43	FLEXIBLE CHUTE DEFLECTOR CLAMP PLATE	93460061
44	CHUTE DEFLECTOR, RUBBER	17460007
45	FLEXIBLE CHUTE DEFLECTOR FLANGE	93460060
46	BOLT, HEX 5/16-18 X 1 Z5	11990027
47	MULCHING BLOCK OFF PLATE w/ HARDWARE	93460024
48	NUT, LOCK FLANGE 3/8-16 Z	12990008
49	GRASS GOBBLER FOR WRIGHT (JUMBO) INCL 50,51	WRJ300-3
50	LATCH	GGL1-1
51	DOOR (JUMBO SIZE)	GGD4-4
52	LEAF GOBBLER	LG1000
53	MULCH KIT, CURVED, 42"	95480002
54	CHUTE DEFLECTOR KIT, FLEXIBLE	95460004
55	BORE ADAPTER, 30MM X 41MM	22420006

STANDER RH

42" CUTTER DECK

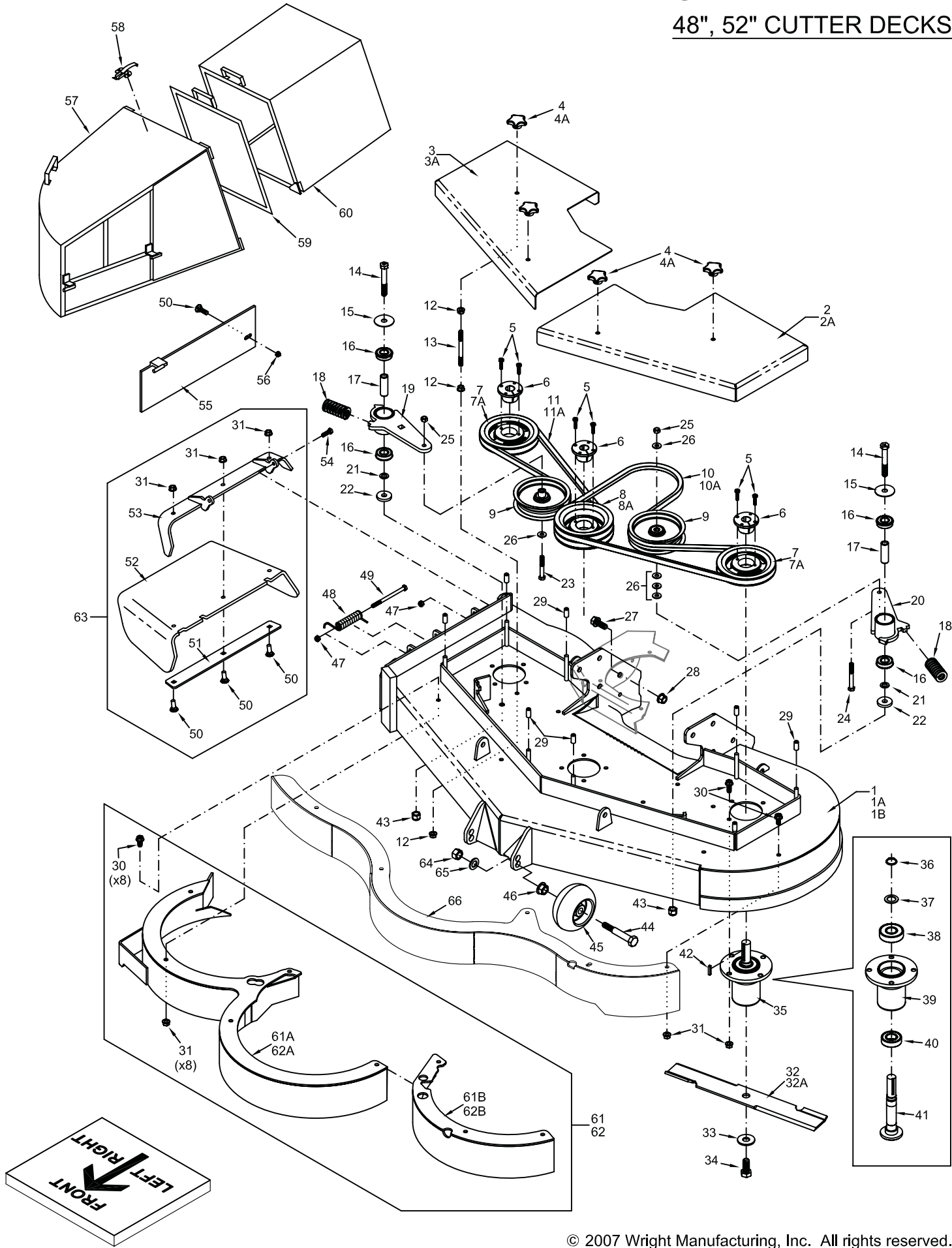


48", 52" CUTTER DECKS

REF. #	DESCRIPTION	PART #
1	48" CUTTER DECK w/ #29	93430023
1A	52" CUTTER DECK w/ #29	93440028
1B	52" REAR DISCHARGE DECK w/ #29	93440034
2	48" DECK COVER, LEFT	93430024
2A	52" DECK COVER, LEFT	93440029
3	48" DECK COVER, RIGHT	93430025
3A	52" DECK COVER, RIGHT	93440030
4	KNOB, DECK	18410006
4A	3/8-24 NYLOCK NUT (CE MODEL)	12990047
5	BOLT, HCS, 1/4-20X1 PLAIN	11990090
6	BUSHING SPLIT TAPERED X 7/8"	71460027
7	PULLEY, SINGLE GRV (48" DECK)	71460060
7A	PULLEY, SINGLE GRV (52" DECK)	71460053
8	PULLEY, DOUBLE GRV (48" DECK)	71460061
8A	PULLEY, DOUBLE GRV (52" DECK)	71460054
9	PULLEY, SMALL IDLER, DECK	71460009
10	BELT, WRAPPED (48" DECK)	71460063
10A	BELT, WRAPPED (52" DECK)	71460062
11	BELT, WRAPPED (48" DECK)	71460070
11A	BELT, WRAPPED (52" DECK)	71460065
12	NUT, LOCK FLANGE 3/8-24 Z	12990029
13	T-ROD, DECK COVER STAND	24410001
14	BOLT, HCS, 1/2-20X3.5 Z	11990089
15	WASHER, FENDER 5/16 X 1 1/4 Z	13990032
16	BEARING, BALL, FOR IDLER ARM	77410010
17	CIS BEARING BUSHING	25410003
18	SPRING, 2.5" DECK IDLER SPRING	16460009
19	IDLER ARM ASSEMBLY, RIGHT, 7"	98490008
20	IDLER ARM ASSEMBLY, LEFT, 7"	98490007
21	MACH BUSH, 1/2 ID X 7/8 OD X 18 GA	13990015
22	IDLER ARM WASHER	93490009
23	BOLT, HEX 3/8-16 X 2 Z5	11990005
24	BOLT, HEX 3/8-16 X 2 1/2 Z5	11990004
25	NUT, TOPLOCK 3/8-16	12990031
26	WASHER, FLAT USS 5/16 z	13990010
27	BOLT, FLANGE 1/2-13 X 1 1/4 Z5	11990015
28	NUT, LOCK FLANGE 1/2-13 Z	12990010
29	CAP, VINYL FOR ISO POSTS	17460002
30	BOLT, FLANGE 3/8-16 X 1 Z8	11990046
31	NUT, TOPLOCK 3/8-16	12990031
32	BLADE, 16 1/2" (48" DECK)	71440002
32A	BLADE, 18" (52" DECK)	71440001
33	WASHER, FLAT USS 5/8 Z	13990011
34	BOLT, HEX 5/8-18 X 1 1/2 Z5	11990058
35	SPINDLE, LONG SHAFT	71460057
36	RETAINING RING, EXTERNAL (SMALL)	71460014
37	WASHER, SMALL FOR SPINDLE	71460021
38	BEARING, SPINDLE (LARGE)	71460017
39	SPINDLE HOUSING	71460046
40	BEARING, SPINDLE (SMALL)	71460047
41	SPINDLE SHAFT, LONG SHAFT	71460058
42	MACHINE KEY 3/16 X 3/16 X 1	15990022
43	NUT, NYLOCK 1/2-20 Z	12990038
44	BOLT, HCS, 5/8-11 X 4 1/2	11990110
45	WHEEL, PLASTIC, ANTI-SCALP	72490001
46	NUT, LOCK FLANGE 5/8-11 Z	12990050
47	NUT, NYLOCK 5/16-18 Z	12990021
48	SPRING, TORSION FOR CHUTE DEFLECTOR	16460002
49	BOLT, HEX 5/16-18 X 4 1/2 Z5	11990003
50	BOLT, CARRIAGE 3/8 X 1 Z5	11990016
51	FLEXIBLE CHUTE DEFLECTOR CLAMP PLATE	93460061
52	CHUTE DEFLECTOR, RUBBER	17460007
53	FLEXIBLE CHUTE DEFLECTOR FLANGE	93460060
54	BOLT, HEX 5/16-18 X 1 Z5	11990027
55	MULCHING BLOCK OFF PLATE w/ #50, #56	93460024
56	NUT, LOCK FLANGE 3/8-16 Z	12990008
57	GRASS GOBBLER FOR WRIGHT (JUMBO), INCL 58,59	WRJ300-3
58	LATCH	GGL1-1
59	DOOR (JUMBO SIZE)	GGD4-4
60	LEAF GOBBLER	LG1000
61	MULCH KIT, CURVED, 48"	95430003
61A	MULCH BAFFLE, CURVED, RIGHT, 48"	93430013
61B	MULCH BAFFLE, CURVED, LEFT, 48"	93430014
62	MULCH KIT, CURVED, 52"	95440003
62A	MULCH BAFFLE, CURVED, RIGHT, 52"	93440013
62B	MULCH BAFFLE, CURVED, LEFT, 52"	93440014
63	CHUTE DEFLECTOR KIT, FLEXIBLE	95460004
64	5/8-11 TOPLOCK NUT	12990056
65	5/8 X 1 3/8 FLAT WASHER	13990037
66	DECK BAFFLE KIT, 48", W/ HARDWARE	95430005
	DECK BAFFLE KIT, 52", W/ HARDWARE	95440006

STANDER RH

48", 52" CUTTER DECKS

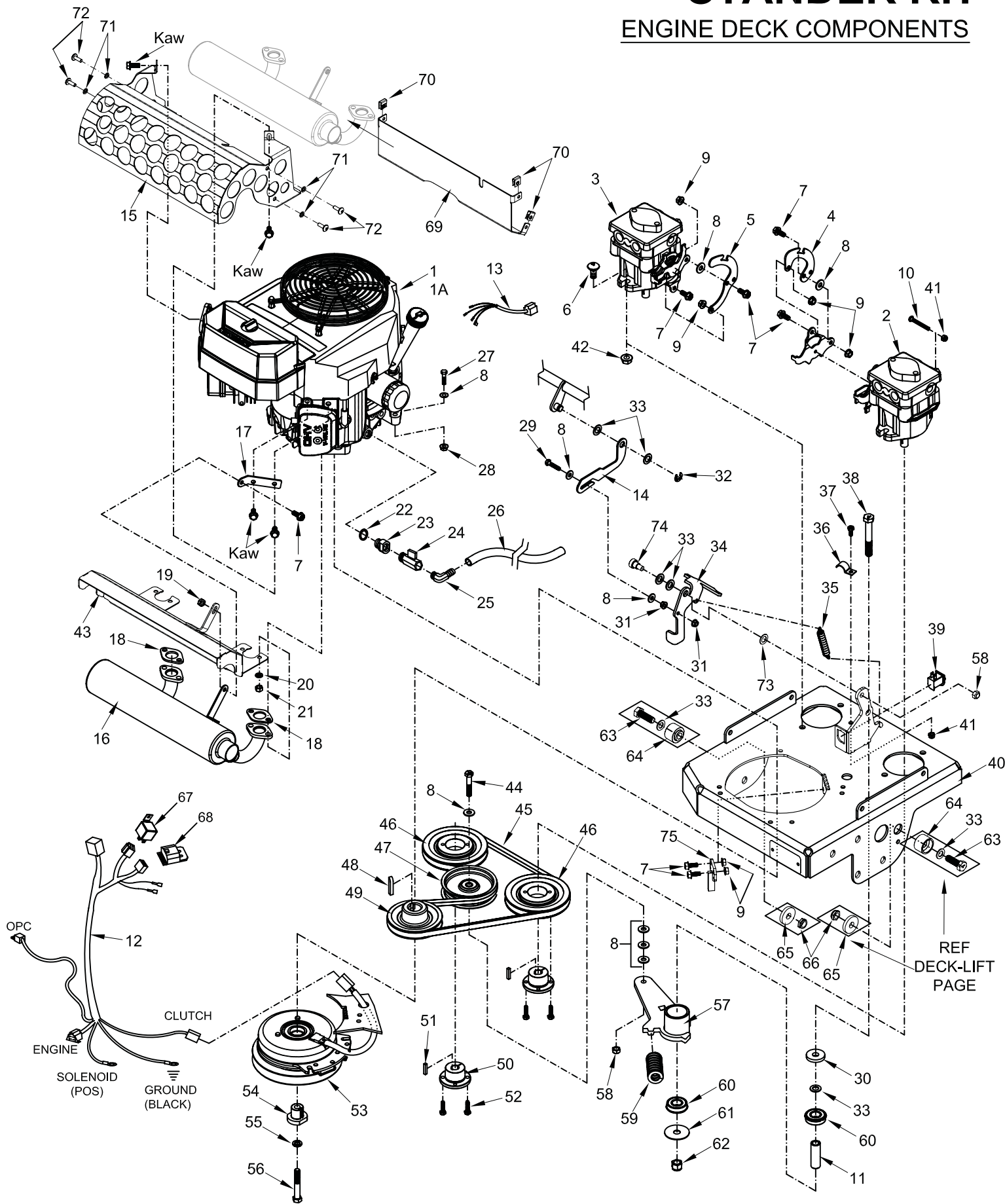


ENGINE DECK COMPONENTS

REF. #	DESCRIPTION	PART #
1	ENGINE, OBTAIN FROM AUTHORIZED DEALER	N/A
2	HYDRO PUMP LEFT	31490004
3	HYDRO PUMP RIGHT	31490005
4	PUMP CONTROL LEVER, LEFT	93410118
5	PUMP CONTROL LEVER, RIGHT	93410119
6	BOLT, CARRIAGE 7/16-14 X 1 Z5	11990017
7	BOLT, FLANGE 5/16 -18 X 3/4 Z5	11990012
8	WASHER, FLAT 1/4 Z	13990009
9	NUT, LOCK FLANGE 5/16-18 Z	12990007
10	SCREW, ROUND PHLP 1/4-20 X 2 Z	11990025
11	CIS BEARING BUSHING	25410003
12	HARNESS, MAIN, ELECTRIC W / PTO DELAY	53490036
13	HARNESS, ENGINE KAW 17 HP R/E & 23	53490017
14	PUMP LOCK ACTUATOR	93410121
15	MUFFLER GUARD, 17 & 19 HP (CE MODEL)	91410028
16	MUFFLER, W/BACKET	51410036
17	MUFFLER, BRACKET ONLY	51410037
18	OBTAIN FROM AUTHORIZED KAWASAKI DEALER	N/A
19	NUT, TOPLOCK 5/16-18Z	12990039
20	WASHER, LOCK, MUFFLER MOUNTING	13990031
21	NUT, HEX METRIC, MUFFLER MOUNTING	12990049
22	O-RING, FOR KAWASAKI OIL DRAIN ADAPT	35410024
23	OIL DRAIN VALVE ADAPTER	35410018
24	OIL DRAIN VALVE	36410003
25	FITTING, MALE BARB 1/2 - 90	36410005
26	TUBE, OIL DRAIN	81410017
27	BOLT, HEX 5/16-24 X 1 1/2 Z5	11990009
28	NUT, LOCK FLANGE 5/16-24 Z	12990011
29	BOLT, HEX 1/4-20 X 1 Z5	11990069
30	IDLER ARM WASHER	93490009
31	NUT, LOCK FLANGE 1/4-20 Z	12990006
32	E-CLIP 1/2	15990009
33	MACH BUSH, 1/2 ID X 7/8 OD X 18 GA	13990015
34	PUMP LOCK LEVER	93410120
35	SPRING, 2"	16410008
36	CLIP, HALF 5/8	15990002
37	BOLT, HEX 1/4-20 X 5/8 Z5	11990001
38	BOLT, HCS, 1/2-20X3.5 Z	11990089
39	SWITCH, OPC , 2 LB INTERNAL SPRING, BLACK	52410003
40	ENGINE DECK	93410206
41	NUT, NYLOCK 1/4-20 Z	12990019
42	NUT, LOCK FLANGE 7/16-14 Z	12990009
43	ENGINE MUFFLER HEAT SHIELD	91410026
44	BOLT, HEX 3/8-16 X 2 Z5	11990005
45	HYDRAULIC SYSTEM BELT	71460066
46	PULLEY, A 5.25in SINGLE GROOVE H BORE	71460068
47	PULLEY, IDLER 4 1/2 X 1 X 3/8 BORE	71460006
48	MACHINE KEY 1/4 X 1/4 X 1	15990003
49	PULLEY, 4.5 OD X A GRV X 1" (ENGINE)	71410002
50	BUSHING SPLIT TAPERED X 15MM	71460051
51	MACHINE KEY 5MM X 5MM X 25MM	15990004
52	BOLT, HCS, 1/4-20X1 PLAIN	11990090
53	CLUTCH / BRAKE SMALL	71410014
54	SPACER, FOR CLUTCH	71410007
55	WASHER, LOCK 7/16 Z	13990014
56	BOLT, HEX 7/16-20 X 2 3/4 Z5	11990010
57	IDLER ARM ASSEMBLY, 7"	98490008
58	NUT, TOPLOCK 3/8-16	12990031
59	SPRING, 2.5" IDLER SPRING	16460009
60	BEARING, BALL, FOR IDLER ARM	77410010
61	WASHER, FENDER 5/16 X 1 1/4 Z	13990032
62	NUT, NYLOCK 1/2-20 Z	12990038
63	BOLT, HEX 1/2"-20 x 1 1/2"	11990055
64	S.S. MACHINED PIN	24420033
65	WASHER	93490009
66	1/2" LOW PROFILE NUT	12990018
67	WATER-RESISTANT RELAY	53490019
68	PTO CLUTCH TIME-DELAY MODULE	52410007
69	CE MUFFLER GUARD HEAT SHIELD	91410029
70	NUT, U 1/4-20 - 7ga	12990044
71	WASHER, LOCK 1/4 Z	13990020
72	SCREW, TRUSS HD MACH 1/4-20 X 3/4 SS	11990024
73	MACH BUSH, 1/2 ID X 14 GA	13990035
74	BOLT, SHLDR ALLEN 1/2 X 3/8	11990075
75	BOLT-ON CLUTCH STOP	93410207

STANDER RH

ENGINE DECK COMPONENTS



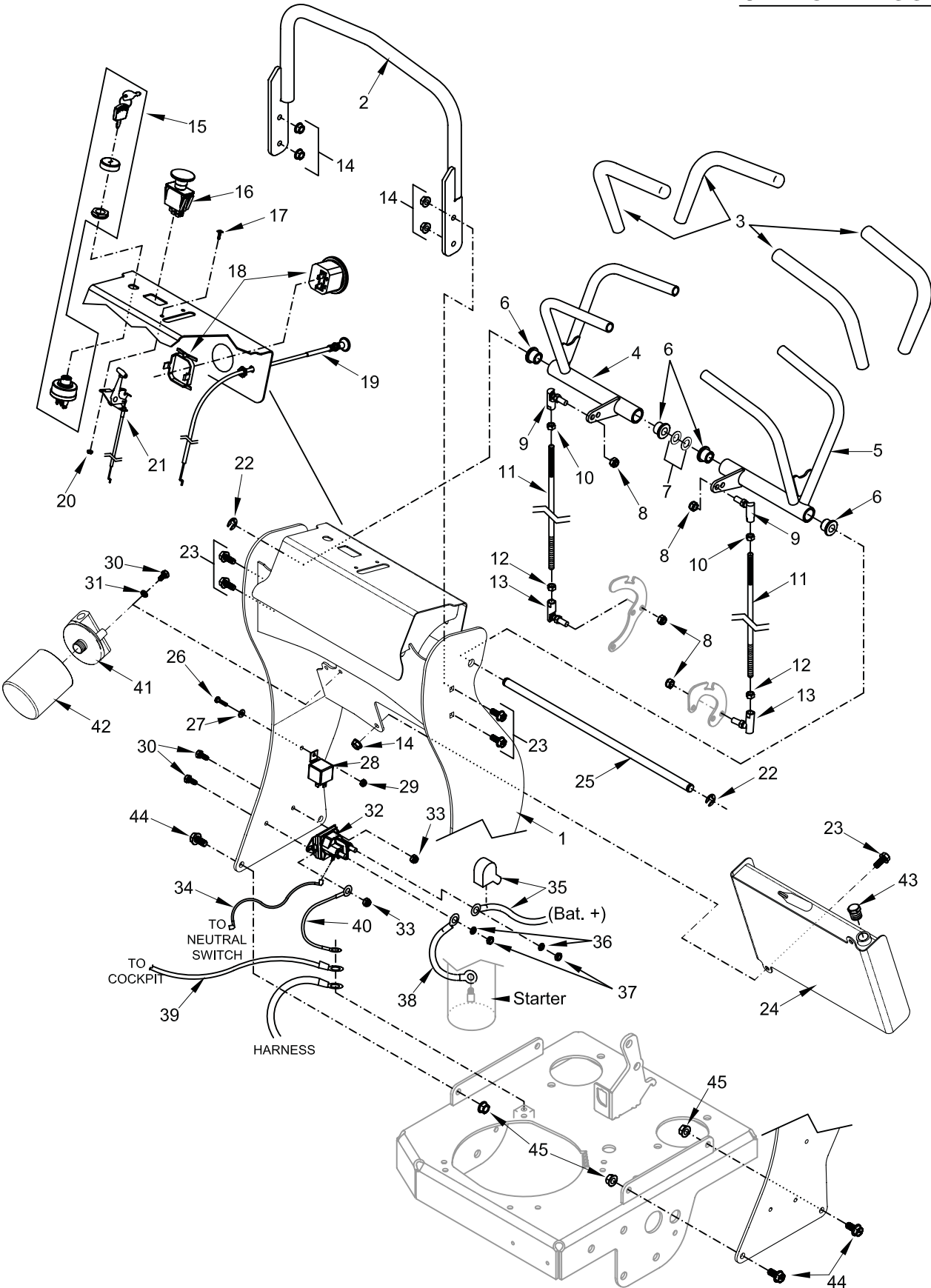
REF
DECK-LIFT
PAGE

UPRIGHT ASSEMBLY

REF. #	DESCRIPTION	PART #
1	UPRIGHT	93420065
2	HANDLEBAR	93420044
3	GRIP, HANDLE BAR	17420004
4	CONTROL LEVER ASSEMBLY-RIGHT	98420047
5	CONTROL LEVER ASSEMBLY-LEFT	98420046
6	HBUSH SHORT	14990004
7	MACH BUSH, 1/2 ID X 7/8 OD X 18 GA	13990015
8	NUT, NYLOCK, 5/16-24 Z	12990051
9	ROD END, BALL JOINT - LEFT HAND THREAD	77410009
10	NUT, LH JAM 5/16-24 Z	12990052
11	T-ROD, PUMP CONTROL	24420024
12	NUT, JAM, HEX 5/16-24 Z	12990053
13	ROD END, BALL JOINT	77410008
14	NUT, LOCK FLANGE 5/16-18 Z	12990007
15	IGNITION SWITCH, FOR ELECTRIC START	20420002
16	SWITCH, BLADE ON/OFF, RED	52420003
17	SCREW, TRUSS HD MACH 10-32 X 1/2	11990023
18	HOUR METER	54420001
19	CHOKE CONTROL	52460002
20	NUT, KEP 10-32 Z	12990015
21	THROTTLE CABLE	52420002
22	E-CLIP 1/2	15990009
23	BOLT, FLANGE 5/16 -18 X 3/4 Z5	11990012
24	HYDRO OIL TANK	93410114
25	GROOVE PIN, .5 X 16.425	24420016
26	SCREW, PHILPS PAN 10-32 X 3/4 Z	11990042
27	WASHER, FLAT SAE #10 Z	13990003
28	RELAY, FOR MAIN HARNESS	53490019
29	NUT, NYLOCK 10-32	12990016
30	BOLT, HEX 1/4-20 X 5/8 Z5	11990001
31	WASHER, LOCK 1/4 Z	13990020
32	SOLENOID	53490009
33	NUT, NYLOCK 1/4-20 Z	12990019
34	HARNESS, GREEN JUMPER WIRE	53490028
35	CABLE, BATTERY, RED 38" W/ LUG INSUL.	53490010
36	WASHER, LOCK 1/4 Z	13990020
37	NUT, JAM 1/4-20 Z	12990042
38	CABLE, BATTERY, RED	53490012
39	GROUND CABLE, BATTERY, BLACK	53490011
40	WIRE, GROUNDING	53490007
41	HYDRO OIL FILTER HOUSING BLOCK	34490001
42	HYDRO OIL FILTER	34490002
43	PLUG, STEEL 3/8	35410015
44	BOLT, FLANGE 3/8-16 X 3/4 Z5	11990030
45	NUT, LOCK FLANGE 3/8-16 Z	12990008

STANDER RH

UPRIGHT ASSEMBLY



DECK LIFT / PARKING BRAKE

REF. #	DESCRIPTION	PART #
1	TRACTOR BODY	93410160
2	KNEE PAD	98420026
3	SUPPORT, KNEE PAD, LEFT	93410124
4	SUPPORT, KNEE PAD, RIGHT	93410123
5	BOLT, FLANGE 5/16 -18 X 3/4 Z5	11990012
6	NUT, LOCK FLANGE 5/16-18 Z	12990007
7	BOLT, FLANGE 3/8-16 X 3/4 Z5	11990030
8	BRAKE SHOE, PRE SERIAL 37617	93410007
	BRAKE SHOE, POST SERIAL 37617	93410215
9	SPRING, PUMP IDLER	16420002
10	NUT, LOCK FLANGE 3/8-16 Z	12990008
11	BRAKE BAR	93410113
12	FLANGE BOLT, 1/2-13 x 1 1/4	11990015
13	MACH BUSH, 1/2 ID X 7/8 OD X 18 GA	13990015
14	PUMP LOCK ACTUATOR	93410121
15	E-CLIP 1/2	15990009
16	HBUSH SMALL	14990002
17	BRAKE PUSH BAR	93410127
18	HANDLE GRIP FOR BRAKE	17420003
19	BRAKE HANDLE w/ GRIP	98410001
20	BOLT, HEX 3/8-16 X 1 1/2 Z5	11990070
21	SPRING, SPORT, DECK LIFT	16460008
22	S.S. MACHINED PIN	24420033
23	BOLT, HEX 3/8-16 X 2 Z5	11990005
24	WASHER, FLAT USS 5/16 z	13990010
25	HOSE HOLD CLIP	93410031
26	NUT, TOPLOCK 3/8-16	12990031
27	NUT, LOCK FLANGE 1/4-20 Z	12990006
28	NUT, NYLOCK 3/8-16	12990020
29	DETENT PIN AND LANYARD	21420002
30	WASHER, FLAT 1/4 Z	13990009
31	BOLT, HEX 1/4-20 X 1 Z5	11990069
32*	DECK LIFT LINK	93460079
33	MACHINED BUSHING, 14 GA, 1 1/4 ID	13990023
34	1 1/4" E-CLIP	15990032
35	REAR DECK LIFT BUSHING	25410006
36	DECK LIFT HANDLE SPACER	93410126
37	GRIP, BLACK, 4.5" w/HOLE	17420009
38	DECK LIFT HANDLE w/ GRIP	93410111
39	BOLT, CARRIAGE 5/16-18 X 1 1/2" Z5	11990087
40	DECK LIFT HEIGHT COG AND LATCH KIT	95460008
41	SPRING, DECK COG	16410008
42	WASHER, FLAT, 7/16	13990002
43	NUT, NYLOCK 1/2-13	12990055
44*	DECK LIFT AXLE, REAR	93460077
45*	DECK LIFT AXLE, FRONT	93460076
46	DECK-LIFT HANGER, FRONT	93460053
47	FRONT LIFT AXLE-3/4"	93460078
48	FRONT LIFT AXLE BUSHING	25410007
49	MACHINED BUSHING, 14 GA, 3/4 ID	13990019
50	FLANGE BOLT, 1/2-13 x 1 3/4	11990109
51	DECK-LIFT HANGER SPANNER	96460003
52	RUBBER DECK-LIFT HANGER BUSHING	17460005
53	DECK-LIFT LINK BUSHING	25410008
54	HEX BOLT 1/2-20 x 1 1/2	11990055
55	MACH BUSH, 1/2 ID X 7/8 OD X 14 GA	13990035
56	WASHER	93490009
57	LOW PROFILE NUT-1/2	12990018
58	1 3/8 X 2 1/8 MACHINE BUSHING, 14 GA	13990036

*NOTE: MODELS PRIOR TO SERIAL 33615 MAY
 REQUIRE CHANGEOVER UPON REPLACEMENT
 OF DECK-LIFT COMPONENTS. IMPROVED
 SYSTEM REQUIRES THE FOLLOWING PART
 REFERENCE NUMBERS AND QUANTITIES. SEE
 YOUR AUTHORIZED WRIGHT DEALER FOR

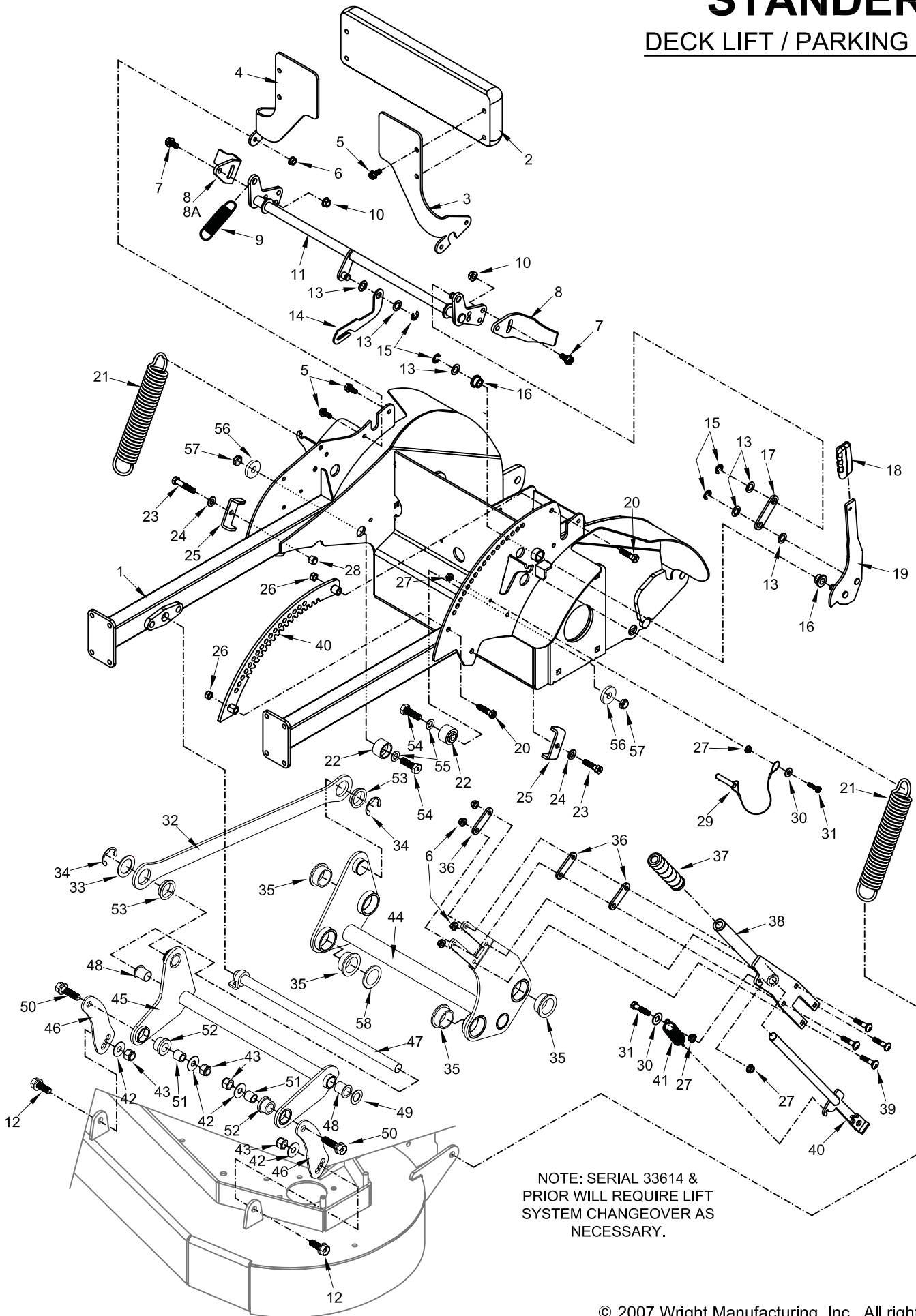
(QTY) - REF#

(4)-22	(2)-48
(1)-32	(1)-49
(1)-33	(2)-50
(2)-34	(2)-51
(4)-35	(2)-52
(4)-42	(2)-53
(4)-43	(4)-54
(1)-44	(4)-55
(1)-45	(4)-56
(2)-47	(4)-57

(1)-58

STANDER RH

DECK LIFT / PARKING BRAKE



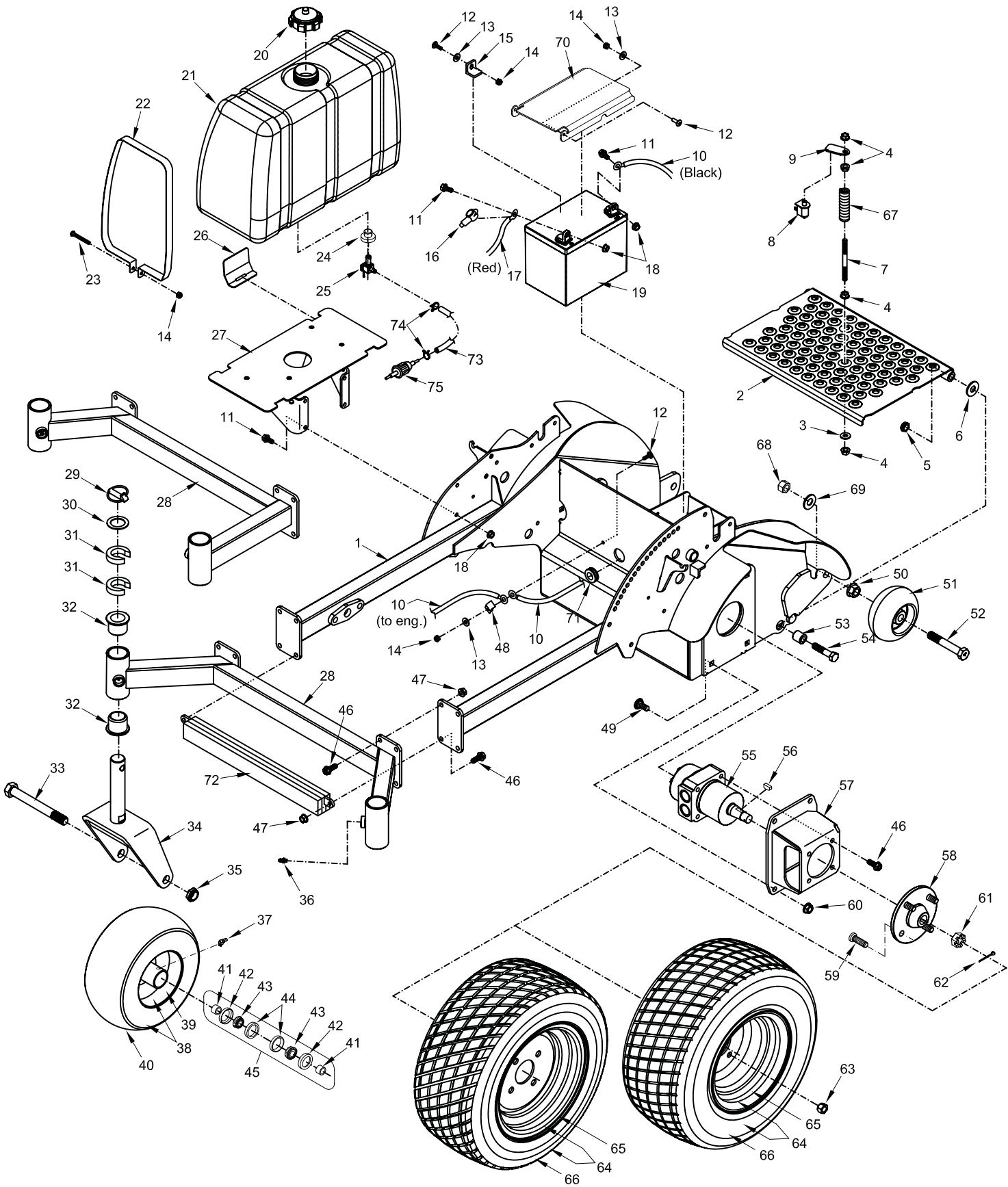
NOTE: SERIAL 33614 &
PRIOR WILL REQUIRE LIFT
SYSTEM CHANGE OVER AS
NECESSARY.

MAIN FRAME

REF. #	DESCRIPTION	PART #
1	TRACTOR BODY	93410160
2	FOOT PLATFORM	93410129
3	WASHER, FLAT USS 5/16 Z	13990010
4	NUT, LOCK FLANGE 3/8-24 Z	12990029
5	NUT, NYLOCK JAM 1/2-20 Z	12990018
6	WASHER, FLAT USS 7/16 Z	13990002
7	T-ROD	24410001
8	SWITCH, OPC	52410003
9	OPC TRIGGER	93410128
10	CABLE, BATTERY, BLACK 18 1/2"	53490011
11	BOLT, FLANGE 5/16 -18 X 3/4 Z5	11990012
12	SCREW, TRUSS HD PH 1/4-20 X 1/2 SS	11990063
13	WASHER, FLAT 1/4 Z	13990009
14	NUT, NYLOCK 1/4-20 Z	12990019
15	BATTERY HOLD DOWN	91410005
16	BATTERY CABLE BOOT	53490029
17	CABLE, BATTERY, RED W/ END BOOTS	53490010
18	NUT, LOCK FLANGE 5/16-18 Z	12990007
19	OBTAIN FROM LOCAL BATTERY SUPPLIER	N/A
20	FUEL TANK CAP	41410002
21	FUEL TANK	41410005
22	FUEL TANK STRAP	91410002
23	SCREW, ROUND PHLP 1/4-20 X 2 Z	11990025
24	BUSHING FOR FUEL TANK VALVE	41410003
25	VALVE, BALL 90 FOR FUEL TANK	41410004
26	FUEL TANK PROTECTOR PLATE	91410004
27	FUEL TANK STAND	93410110
28	CASTER FRAME ASSEMBLY, 36" w/ ZERK	93410115
	CASTER FRAME ASSEMBLY, 42" w/ ZERK	93480011
	CASTER FRAME ASSEMBLY, 48", 52" w/ ZERK	93410116
29	LYNCH PIN 7/16 FOR CASTERS	15990013
30	MACH BUSH, 1 1/4 ID X 1 7/8 OD X 14 GA	13990023
31	CASTER SPACER, NOTCHED C-TYPE	13990022
32	BUSHING, CASTER, FOR 1 1/4 PIN	14990003
33	BOLT, HEX 3/4-10 X 6 1/2 Z5	11990034
34	L-S CASTER YOKE	93460008
35	NUT, NYLOCK JAM 3/4-10 Z	12990026
36	ZERK, 1/4-28 (GREASE FITTING)	15990006
37	GREASE FITTING FOR WHEEL	VKWHLZERK
38	PNEUMATIC WHEEL ASSEMBLY, 11X400-5	72460002
	FLAT-FREE WHEEL ASSEMBLY	72460012
39	RIM ONLY (FOR PNEUMATIC ASSY)	77460008
40	TIRE ONLY 11 X 400-5 (FOR PNEUMATIC ASSY)	77460009
41	SPACER, FOR CASTER WHEELS	77460004
42	SEAL, FOR CASTER WHEELS	77460005
43	BEARING, FOR CASTER WHEELS	77460006
44	TAPERED ROLLER BEARING RACE	77460007
45	BEARING KIT FOR 11X400-5 CASTER WHEEL	98460019
46	BOLT, FLANGE 3/8-16 X 1 Z8	11990046
47	NUT, LOCK FLANGE 3/8-16 Z	12990008
48	CLIP, HALF 5/8	15990002
49	BOLT, CARRIAGE 7/16-14 X 1 Z5	11990017
50	NUT, LOCK FLANGE 5/8-11 Z	12990050
51	WHEEL, PLASTIC, ANTI-SCALP	72490001
52	BOLT, HCS, 5/8-11 X 4 1/2	11990110
53	FOOT PLATE PIVOT, ZINC PLATE	96410002
54	BOLT, HEX 1/2-20 X 2 1/4 Z5	11990011
55	HYDRO MOTOR, 12P	32410004
56	WOODRUFF KEY 3/16 X 3/4 (FOR HYD MOTOR)	15990015
57	WHEEL MOTOR SUPPORT, R&L	93410125
58	WHEEL HUB, 36" DECK	72410021
	WHEEL HUB, 42", 48" & 52" DECK	72410017
59	STUD FOR TAPERED HUB	72410013
60	NUT, LOCK FLANGE 7/16-14 Z	12990009
61	NUT, CASTLE, (FOR 32410004)	12990046
62	COTTER PIN 1/8 X 2	15990012
63	NUT, LUG 1/2-20	72410001
64	WHEEL ASSEMBLY, 18X8-10, (36", 42" DECK)	72410024
	WHEEL ASSY, (48", 52" DECK, PRE SERIAL 37617)	72410007
	WHEEL ASSY, (48", 52" DECK, POST SERIAL 37617)	72410036
65	RIM ONLY (36", 42" DECK)	72410022
	RIM ONLY, (48", 52" DECK, PRE SERIAL 37617)	72410005
	RIM ONLY, (48", 52" DECK, POST SERIAL 37617)	72410035
66	TIRE ONLY, 48" & 52" PRE SERIAL 37617	72410009
	TIRE ONLY, (ALL 32" & 42" 48" & 52" POST SER. 37617)	72410023
67	SPRING, LRG, COMPRESSION	16410002
68	5/8-11 TOPLOCK NUT	12990056
69	5/8 X 1 3/8 FLAT WASHER	13990037
70	BATTERY COVER FOR STANDER RH	93410165
71	GROMMET, BATTERY CABLES	17410002
72	WEIGHT BAR WELDMENT	93460062
73	HOSE, FUEL	42420001
74	HOSE CLAMP, 1/4	43410001
75	FUEL FILTER	34490003

STANDER RH

MAIN FRAME

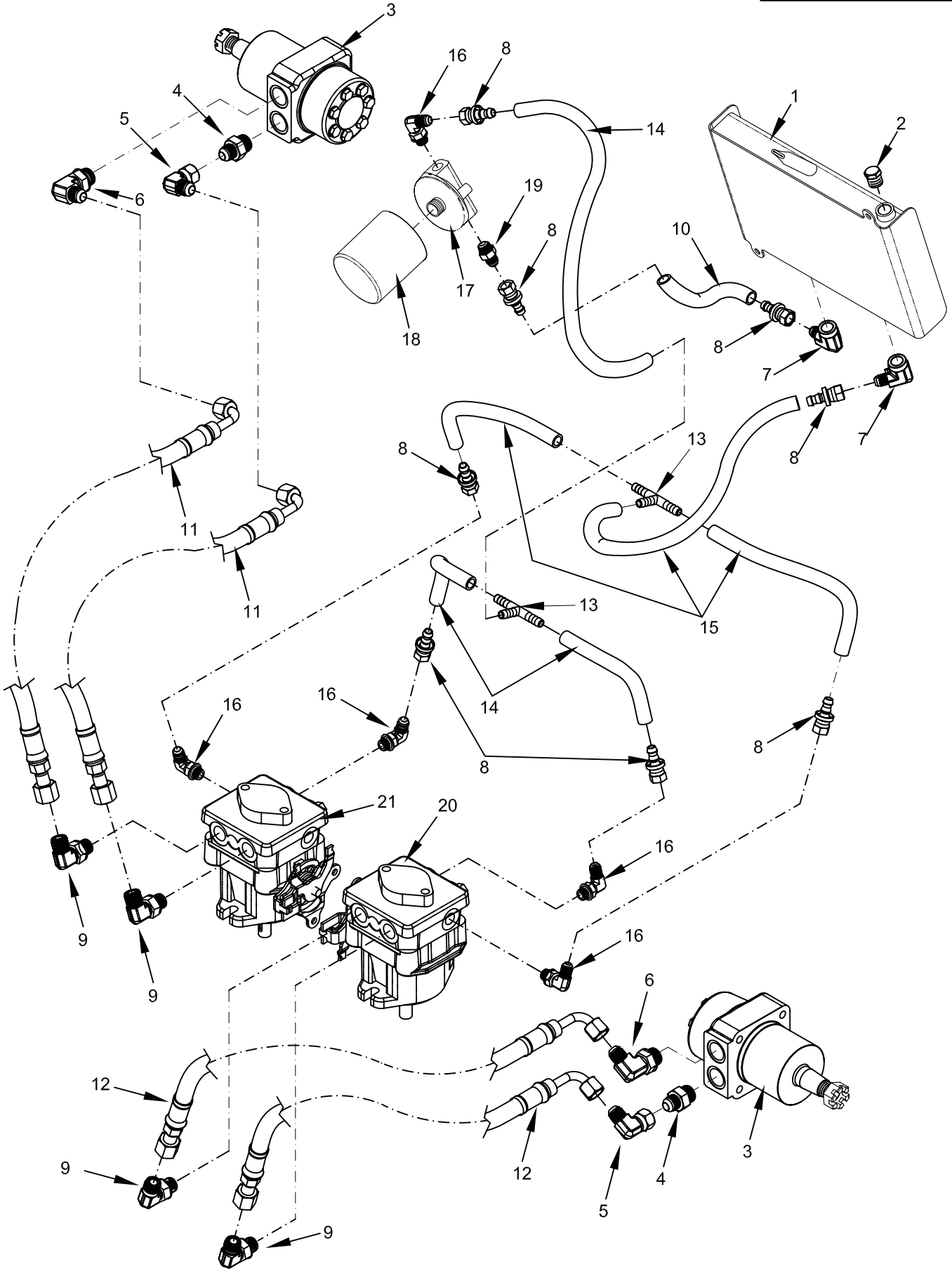


HYDRAULIC PARTS

REF. #	DESCRIPTION	PART #
1	HYDRO OIL TANK	93410114
2	PLUG, STEEL 3/8	35410015
3	HYDRO MOTOR, 12P	32410004
4	O-RING FITTING, 7/8-14 UNF X 1/2 JIC	35410027
5	ELBOW, SWIVEL NUT, 1/2	35410005
6	ELBOW, STRGHT THRD ORING 1/2 X 5/8	35410008
7	FITTING, 3/8 FPIPE X 3/8 MALE JIC	35410026
8	FITTING, BARBTITE FEMALE	35410012
9	ELBOW	35410041
10	HOSE, TNK-FLTR, INCL #8x2,	33410042
11	HOSE, HYDRO HIGH PRESS SPORT RT	33410037
12	HOSE, HYDRO HIGH PRESS SPORT LT	33410038
13	TEE, NYLON HOSEBARB MALE, 3/8"	35410001
14	HOSE, FLTR-PUMP, INCL #8x3, #13	33410041
15	HOSE, PUMP-TANK, INCL #8x2, #13	33410040
16	ELBOW, STRGHT THRD ORING 3/8 X 3/8	35410007
17	HYDRO OIL FILTER HOUSING BLOCK	34490001
18	HYDRO OIL FILTER	34490002
19	FITTING, 3/8 MPIPE O-RING X 3/8 MALE JIC	35410037
20	HYDRO PUMP, LEFT	31490004
21	HYDRO PUMP, RIGHT	31490005

STANDER RH

HYDRAULIC PARTS





1



2



3



4



5 (Qty.3)



6



7 (Qty. 2)

36

8

42

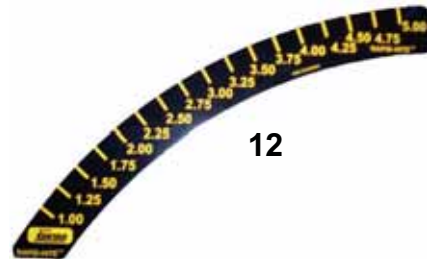
9

48

10

52

11



12



13



14



15 (Qty. 2)



16 (Qty. 2)



17



18



19 (Qty.2)



20 (Qty. 2)



21



22

1	76490004	Decal, Stander
2	76490048	Decal, Right Dash
3	76490047	Decal, Left Dash, Cautions
4	76490051	Decal, Commercial Benefits
5	76490023	Decal, Circle with "W"
6	76490049	Decal, Quad Lever
7	76490018	Decal, Speed Sensitivity Adj.
8	76490016	Decal, 36" Deck Size
9	76490016	Decal, 42" Deck Size
10	76490008	Decal, 48" Deck Size
11	76490007	Decal, 52" Deck Size

12	76490052	Height of Cut
13	76410001	Decal, All Logos
14	76490036	Decal, Patent Numbers
15	76490001	Decal, Shield Missing
16	76460001	Decal, Danger Blade Hazard
17	76490054	CE, Left Dash, Cautions
18	76490053	Decal, CE, Parking Brake
19	76490028	Decal, CE, Danger Blade Hazard
20	76490029	Decal, CE, Shield Missing
21	76490045	Decal, CE, Noise 100 dB
22	76490058	Decal, CE, Hearing Protection



4600X Wedgewood Blvd
Frederick, MD 21703
www.wrightmfg.com