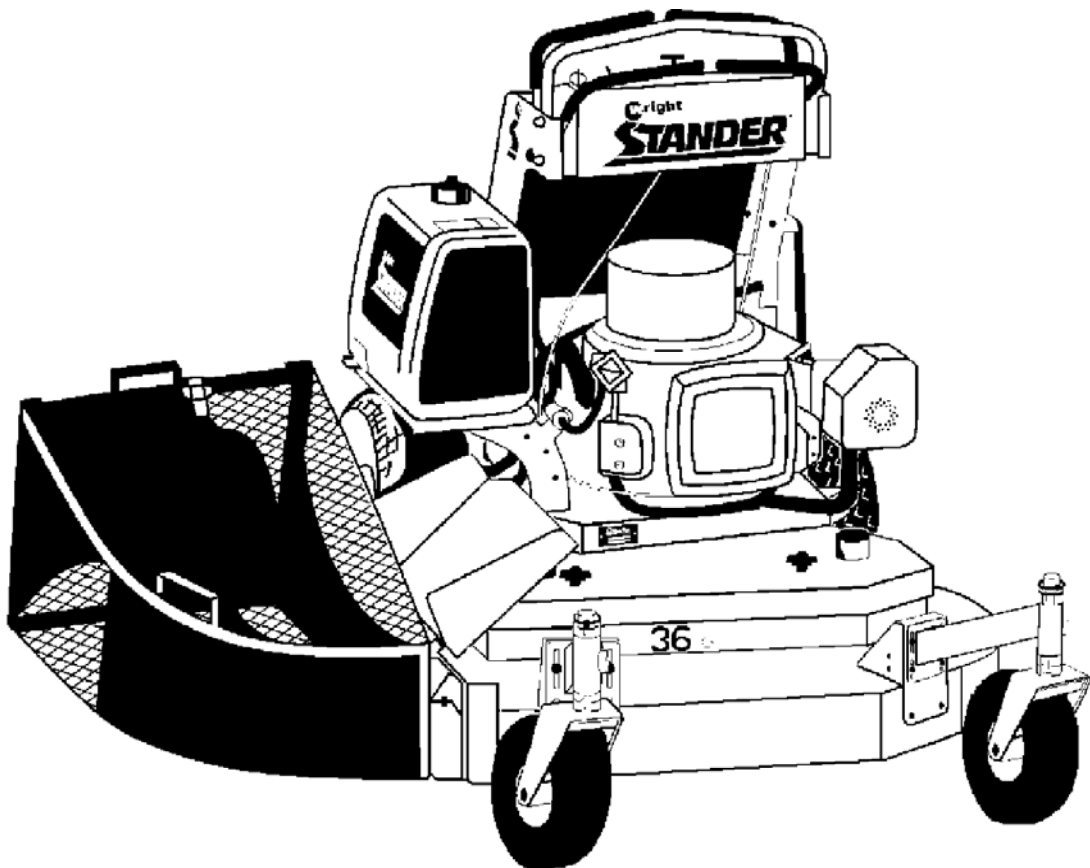


wright **STANDER**TM

Parts List for 36" & 42" Machines



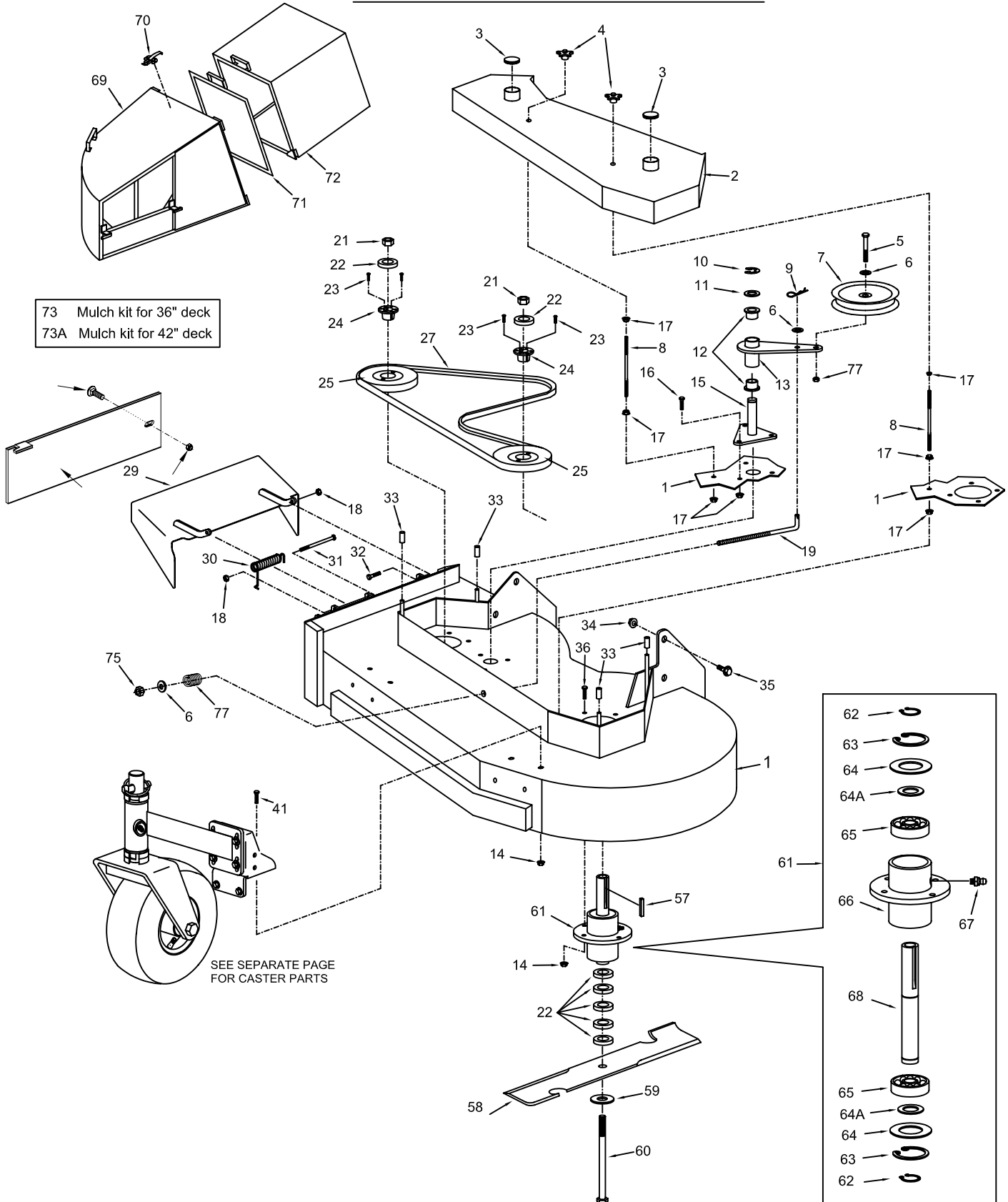


36" & 42" CUTTER DECKS

REF #	PART #	DESCRIPTION	36	42	REF #	PART #	DESCRIPTION	36	42
1	93470001	CUTTER DECK,36" W/CAPS(33) & DECALS	X		57	15990003	MACHINE KEY 1/4X1/4X1	X	X
1	93480001	CUTTER DECK,42" W/CAPS(33) & DECALS		X	58	71440001	BLADE, 18", FOR 36" DECK	X	
2	93470002	DECK COVER, 36"	X		58	71440003	BLADE, 21", FOR 42" DECK		X
2	93480002	DECK COVER, 42"		X	59	13990011	WASHER, FLAT USS 5/8	X	X
3	17460004	TUBE CLOSURE, FOR DECK COVER	X	X	60	11990007	BLADE BOLT, HEX 5/8 X 10 Z5	X	X
4	18410001	KNOB, BLACK PLASTIC FOR DECK COVER	X	X	61	71460022	SPINDLE ASSEMBLY 36"/42"	X	X
5	11990005	BOLT, HEX 3/8-16 X 2 Z5	X	X	62	71460014	EXTERNAL RETAINING RING	X	X
6	13990010	WASHER, FLAT USS 5/16 Z	X	X	63	71460015	INTERNAL RETAINING RING	X	X
7	71460009	PULLEY, IDLER 5 3/4x1-1/16x3/8bore	X	X	64	71460016	WASHER, LARGE	X	X
8	24460002	36/42 ROD STAND	X	X	64A	71460021	WASHER, SMALL	X	X
9	15990007	HITCH PIN CLIP #213	X	X	65	71460017	BEARING	X	X
10	15990010	E-CLIP 7/8	X	X	66	71460018	SPINDLE HOUSING	X	X
11	13990017	MACHINE BUSHING 7/8 ID 1 3/8 OD 14GA	X	X	67	71460019	ZERK FITTING	X	X
12	14990001	BUSHING, BRONZE (VELKE# VPIVOTBUSH)	X	X	68	71460025	SPINDLE SHAFT, 36"/42"	X	X
13	98490003	IDLER ARM W/BUSHINGS (12) 36"/42"	X	X	69	WRJ300-3	STANDER GRASS GOBBLER (INCL 70 & 71)	X	X
14	12990008	NUT, LOCK FLANGE 3/8-16 z	X	X	70	GG1-1	GRASS GOBBLER LATCH	X	X
15	93490003	IDLER ARM BASE, 36"/42"	X	X	71	GGD4-4	DOOR	X	X
16	11990012	BOLT, FLANGE 5/16x3/4 z5	X	X	72	LG1000	LEAF GOBBLER (4.6 CU. FT)	X	X
17	12990007	NUT, LOCK FLANGE 5/16-18 z	X	X	73	93440003	MULCH PLATE KIT, 36" INCLUDES(74-76 & 6)	X	
18	12990021	NYLON LOCKNUT, 5/16-18 z	X	X	73	93450003	MULCH PLATE KIT, 42" INCLUDES(74-76 & 6)		X
19	85460014	THREADED ROD 7" IDLER ADJ., 3/8"	X	X	74	11990026	HEX HD BOLT 3/8-16 X 1 z5	X	X
21	12990003	NUT, HEX 5/8-11 z FOR BLADES	X	X	75	12990020	NYLON LOCKNUT 3/8-16 z	X	X
22	13990007	BLADE SPACER 5/8x1 1/2x1/4	X	X	76	11990032	HEX HD BOLT 3/8-16 X 1 1/4 z5	X	X
23	11990033	BOLT, HEX 1/4-20 X 7/8 P5	X	X					
24	71460008	BUSHING, SPLIT TAPERED 1"	X	X					
25	71460004	PULLEY, SINGLE GRV 5 3/4OD-A/B	X	X					
27	71460011	BELT BX71, ENGINE TO BLADE 36" WS	X						
27	71460003	BELT BX77, ENGINE TO BLADE 42" WS		X					
29	93460002	CHUTE DEFLECTOR, WS	X	X					
30	16460002	SPRING, TORSION, FOR CHUTE DEFLECTOR	X	X					
31	11990003	BOLT, HEX 5/16-18 X 4 1/2 Z5	X	X					
32	11990027	BOLT, HEX 5/16-18 X 1 Z5	X	X					
33	17460002	CAP, VINYL 3/8 x 1	X	X					
34	12990010	NUT, LOCK FLANGE 1/2-13 z	X	X					
35	11990015	BOLT, FLANGE 1/2x1 1/4 z5	X	X					
36	11990046	BOLT, FLANGE 3/8x1 z5	X	X					
41	11990030	BOLT, FLANGE 3/8-16 X 3/4 Z5	X	X					

Wright STANDER™

36" & 42" CUTTER DECKS





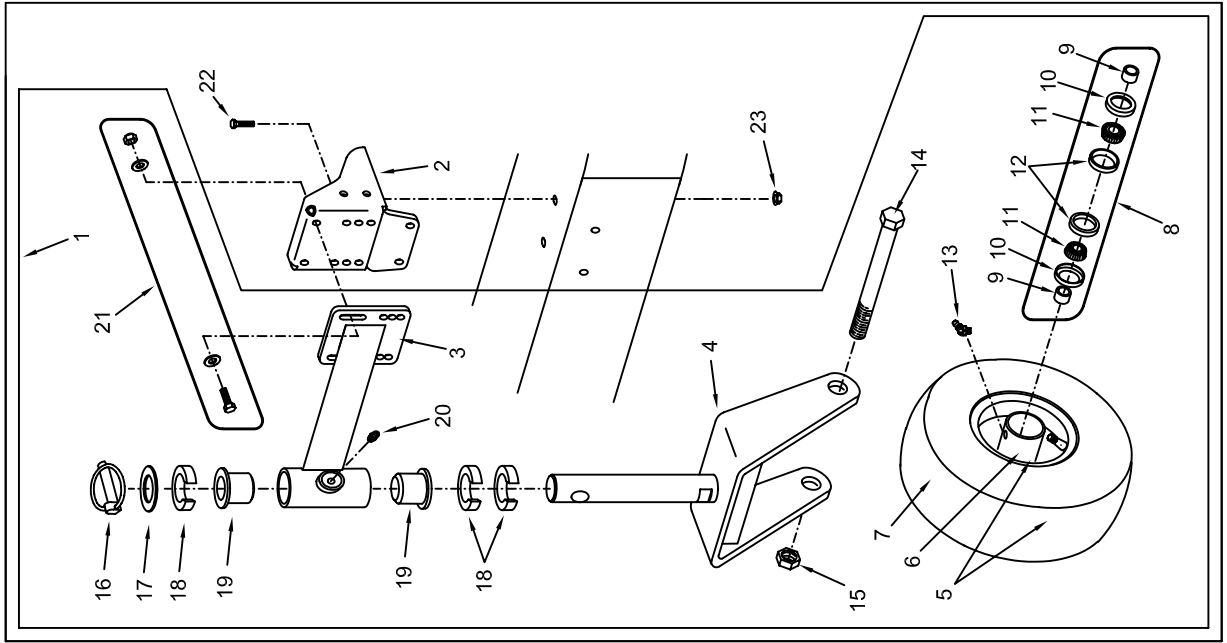
CASTER PARTS (36 & 42)

REF #	PART #	DESCRIPTION	LS	LT	REF #	PART #	DESCRIPTION	LS	LT
1	98460013	L-S CASTER KIT W/O BRKT (SET OF 2)	X		14	11990034	BOLT, HEX HD 3/4-10 X 6 1/2 Z5	X	X
1A	98460005	L-T CASTER KIT W/O BRKT (SET OF 2)		X	15	12990026	NUT, NYLOCK JAM 3/4-10	X	X
2	93460006	CASTER ADJUSTMENT BRACKET	X	X	16	15990013	LYNCH PIN		X
3	98460016	L-S CASTER ARM (INCL 1-#20 & 2-#19)	X		17	13990023	MACHINE BUSHING 1 1/4 X 10 GA		X
3A	93460005	L-T CASTER ARM WELDMENT		X	18	13990022	C- SPACER		X
4	93460008	L-S CASTER YOKE	X		19	14990003	BRONZE BUSHING		X
4A	93460004	L-T CASTER YOKE		X	20	15990006	ZERK FITTING FOR CASTER ARM		X
5	72460002	11X400-5 WHEEL ASSEMBLY COMPLETE	X	X	21	98460018	CASTER BOLT KIT(8 BOLTS, 8 NUTS, 16 WASH.)	X	X
6	77460008	RIM ONLY	X	X	22	11990030	BOLT, FLANGE 3/8-16 X 3/4 Z5	X	X
7	77460009	TIRE ONLY	X	X	23	12990008	NUT, FLANGELOCK 3/8-16 Z	X	X
8	98460019	BEARING KIT (2 EACH #9, #10, #11, #12)	X	X	24	17460003	GREASE CAP		X
9	77460004	WHEEL SPACER	X	X	25	15990012	PIN, COTTER 1/8 X 2		X
10	77460005	GREASE SEAL	X	X	26	12990023	NUT, CASTLE 3/4-14		X
11	77460006	TAPERED ROLLER BEARING	X	X	27	77460002	TAPERED BEARING FOR PIVOT		X
12	77460007	RACE, FOR BEARING	X	X	28	77460003	BEARING RACE FOR PIVOT		X
13	VKWLZERK	ZERK FITTING FOR WHEEL	X	X	29	77460001	GREASE SEAL		X



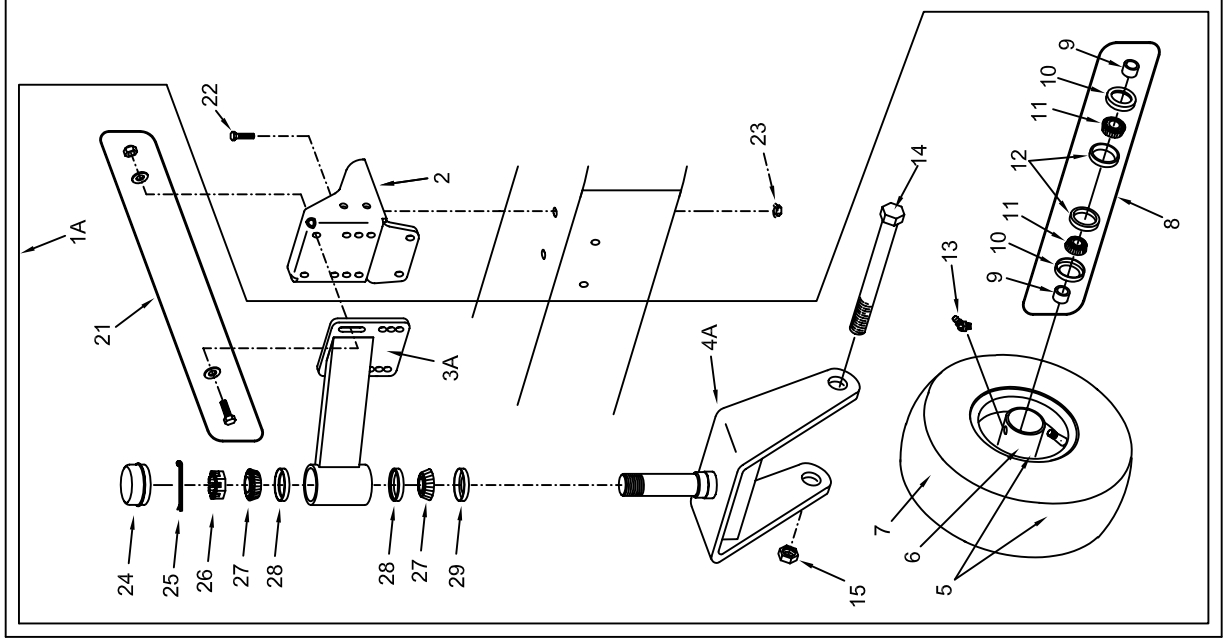
Standard Caster Assembly (LS*)
1999 & Later Models

*Large w/Spacers



Optional Caster Assembly (LT*)
1999 & Later Models

*Large w/Tapered bearings





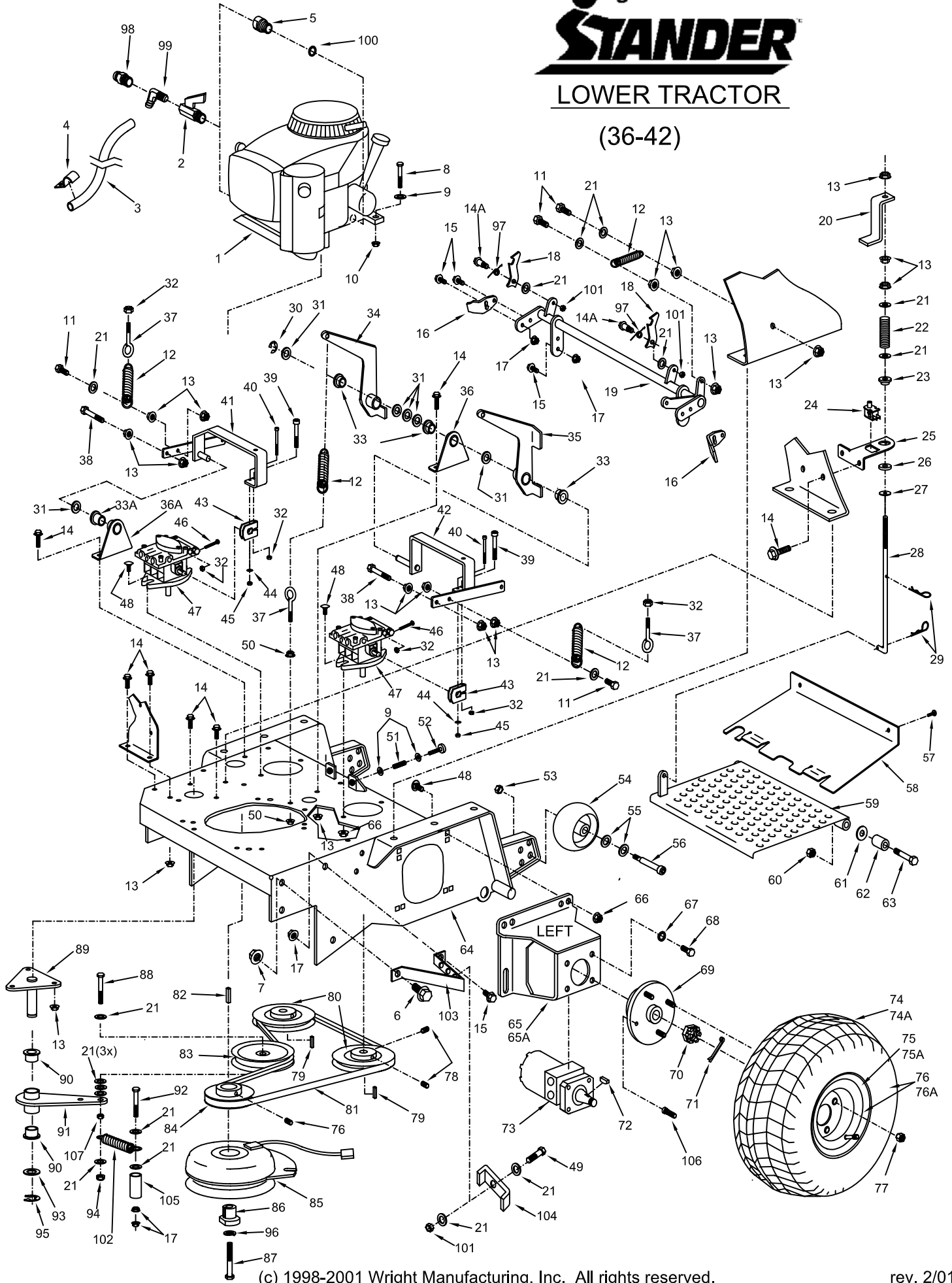
LOWER TRACTOR (36 & 42)

REF #	PART #	DESCRIPTION
1	51410009	ENGINE, KAWASAKI 15 HP RECOIL
1	51410005	ENGINE, KAWASAKI 17 HP RECOIL
1	51410006	ENGINE, KAWASAKI 17 HP RECOIL/ELEC
1	51410003	ENGINE, BRIGGS VANGUARD 18 HP RECOIL
2	36410003	OIL DRAIN VALVE, BALL VALVE TYPE
3	81410017	TUBE, OIL DRAIN
4	15990002	CLIP, HALF 5/8"
5	35410018	OIL DRAIN VALVE ADAPTER (KAWASAKI ONLY)
6	11990015	BOLT, FLANGE 1/2 X 1 1/4 Z5
7	12990010	NUT, LOCK FLANGE 1/2-13 Z
8	11990009	BOLT, HEX 5/16-24 X 1 1/2 Z5
9	13990009	WASHER, FLAT USS 1/4 Z
10	12990011	NUT, LOCK FLANGE 5/16-24 Z
11	11990027	BOLT, HEX 5/16-18 X 1 Z5
12	16460001	SPRING, EXTENSION 3/4 X 3 1/2 CTRL & IDL
13	12990007	NUT, LOCK FLANGE 5/16-18 Z
14	11990012	BOLT, FLANGE 5/16-18 X 3/4 Z5
14A	11990043	BOLT, SHOULDER ALLEN 3/8 X 3/4
15	11990030	BOLT, FLANGE 3/8-16 X 3/4 Z5
16	93410019	BRAKE SHOE
17	12990008	NUT, LOCK FLANGE 3/8-16
18	93410033	BRAKE/TRANS INTERLOCK COG
19	93410020	BRAKE, LATERAL LINK BAR
20	93410005	OPC SWITCH TRIGGER
21	13990010	WASHER, FLAT USS 5/16 Z
22	16410002	SPRING, LARGE COMPRESSION, FOR OPC
23	13990001	BUSHING, NYLON FLANGE
24	52410002	SWITCH, OPC (BLACK), NORM. OPEN
25	93410015	BRACKET, OPC (WORKS WITH #24)
26	13990005	WASHER, RUBBER 3/8
27	13990004	WASHER, FENDER, 5/16 X 1 Z
28	85410009	THREADED ROD FOR OPC (BENT)
29	15990007	HITCH PIN CLIP
30	15990009	E-CLIP 1/2
31	13990015	MACHINE BUSHING 1/2 ID 7/8 OD 18GA
32	12990019	NUT, NYLOCK 1/4-20
33	14990004	BUSHING, BRONZE (SHORT 1/2")
33A	14990002	BUSHING, BRONZE (SAME AS VELKE HITCH BUSHING)
34	98410040	RIGHT NEUTRAL ADJ DOG W/ BUSHING (#33)
35	98410038	LEFT NEUTRAL ADJ DOG W/ BUSHING (#33)
36	98410039	PUMP CONTROL PIVOT BASE W/ BUSHING (#33)
36A	98410008	PUMP CONTROL PIVOT BASE W/ BUSHING (#33A)
37	11990008	BOLT, EYE 1/4-20 Z
38	11990002	BOLT, HEX 5/16-18 X 2 Z5
39	11990019	BOLT, ALLEN 1/4-20 X 1 3/4
40	11990018	BOLT, ALLEN 10-32 X 1 3/4
41	93410012	PUMP CONTROL HOOP, RIGHT
42	93410028	PUMP CONTROL HOOP, LEFT
43	96410001	CLAMP, PUMP CONTROL
44	13990003	WASHER, FLAT SAE #10
45	12990016	NUT, NYLOCK 10-32
46	11990025	SCREW, ROUND PHL P 1/4-20 X 2 Z
47	31490001	HYDRO PUMP
48	11990017	BOLT, CARRIAGE, 7/16 X 1 Z5
49	11990044	BOLT, HEX 5/16-18 X 1 3/4 Z5
50	12990006	NUT, LOCK FLANGE 1/4-20 Z
51	16410001	SPRING, SMALL COMPRESSION, NEUT. ADJ KNOB
52	98410027	NEUTRAL ADJUSTMENT KNOB W/ BOLT
53	12990022	NUT, NYLOCK JAM 1/2-13
54	72490001	WHEEL, PLASTIC, 5" X 2 3/4" W/ 5/8 BORE

REF #	PART #	DESCRIPTION
55	13990016	MACHINE BUSHING 5/8 ID 1 OD 14 GA
56	11990022	BOLT, SHOULDER ALLEN 5/8 X 2 3/4
57	11990024	SCREW, TRUSS HD MACHINE 1/4-20 X 3/4
58	93410027	PULLEY GUARD PLATE
59	93410021	FOOT PLATFORM
60	12990018	NUT, NYLOCK JAM 1/2-20
61	13990002	WASHER, FLAT USS 7/16 Z
62	96410002	FOOT PLATE JOINT, ZINC PLATED
63	11990011	BOLT, HEX 1/2-20 X 2 1/4 Z5
64	93410029	TRACTOR FRAME WELDMENT
65	93410023	RIGHT HYDRO MOTOR SUPPORT WELDMENT
65A	93410032	LEFT HYDRO MOTOR SUPPORT WELDMENT (SHOWN IN DRAWING)
66	12990009	NUT, LOCK FLANGE 7/16-14 Z
67	13990012	WASHER, LOCK 3/8 Z
68	11990026	BOLT, HEX 3/8-16 X 1 Z5
69	72410003	WHEEL HUB, TAPERED (INCLUDES 4 x #106)
70	12990023	NUT, CASTLE 3/4-14
71	15990012	PIN, COTTER 1/8" X 2
72	15990015	WOODRUFF KEY 3/16 X 3/4
73	32410003	HYDRO MOTOR (MF12)
74	72410008	TURF TIRE, FOR 36" MOWER
74A	72410009	TURF TIRE, FOR 42" MOWER
75	72410010	RIM ONLY, 18X650-8, FOR 36" MOWER
75A	72410005	RIM ONLY, 18X850-8, FOR 42" MOWER
76	72410006	TIRE & RIM ASSEMBLY, 18X650-8 TM FOR 36" MOWER
76A	72410007	TIRE & RIM ASSEMBLY, 18X850-8 TM FOR 42" MOWER
77	72410001	NUT, LUG 1/2-20
78	71410004	SETSCREW 5/16-18 X 3/8
79	15990004	MACHINE KEY 5 MM X 5 MM X 25 MM
80	71410003	PULLEY 5.45 OD x A GRV x 15MM (PUMP)
81	71460023	BELT, AX-48, FOR HYDRO PUMPS
82	15990003	MACHINE KEY 1/4 SQ. x 1
83	71460006	PULLEY, IDLER 4 1/2 x 1 x 3/8 BORE
84	71410002	PULLEY 4.5 OD x A GRV x 1" (ENGINE)
85	71410006	CLUTCH/BRAKE, TG-2000 (BLACK WIRE SLEEVE)
86	13990006	MACHINE BUSHING 7/16 ID 1 1/2 OD 1/4 THICK
87	11990010	BOLT, HEX 7/16-20 X 2 3/4 Z5
88	11990006	BOLT, HEX 3/8-16 X 2 3/4 Z5
89	93490003	IDLER ARM BASE
90	14990001	BUSHING, BRONZE (SAME AS VELKE PIVOT BUSHING)
91	98490003	IDLER ARM W/ BUSHINGS (2 x #90)
92	11990004	BOLT, HEX 3/8-16 X 2 1/2 Z5
93	13990017	MACHINE BUSHING 7/8 ID 1 3/8 OD 14 GA
94	12990020	NUT, NYLOCK 3/8-16
95	15990010	E-CLIP 7/8
96	13990014	WASHER, LOCK 7/16 Z
97	16410003	SPRING, TORSION FOR BRAKE SYSTEM
98	36410004	FITTING, MALE BARB, STRT (12.5HP KAW)
99	36410005	FITTING, MALE BARB, 90 DEG (BRIGGS & 15/17HP KAW)
100	35410024	O-RING, FOR KAWASAKI OIL DRAIN ADAPTER
101	12990021	NUT, NYLOCK 5/16-18
102	16420001	SPRING, EXTENSION FOR ENGINE PULLEY
103	93410030	HOSE HOLD BRACKET
104	93410031	HOSE HOLD CLIP
105	93410205	SPACER, FOR ENGINE IDLER SPRING
106	72410013	STUD, FOR TAPERED WHEEL HUB
107	12990031	NUT, TOPLOCK 3/8-16

Wright
STANDER
 LOWER TRACTOR

(36-42)



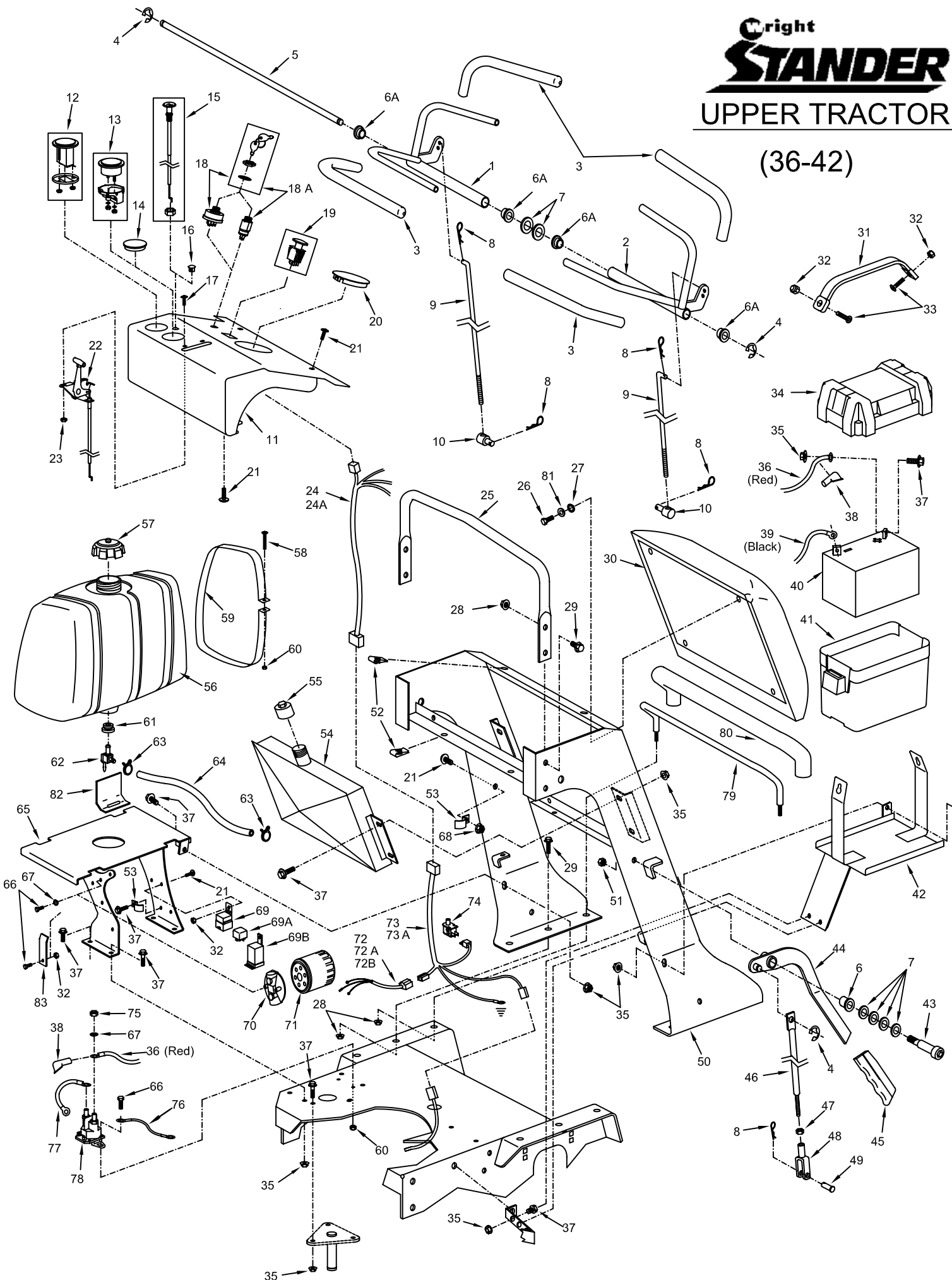


UPPER TRACTOR (36 & 42)

REF #	PART #	DESCRIPTION	REF #	PART #	DESCRIPTION
1	98420006	RIGHT CNTRL LEV ASSEMBLY (INCL #3 x 2 & #6 x 2)	44	98420003	PARKING BRAKE HANDLE ASSEMBLY (INCL #6 & #45)
2	98420001	LEFT CNTRL LEV ASSEMBLY (INCL #3 x 2 & #6 x 2)	45	17420003	HANDLE GRIP FOR BRAKE
3	17420004	FOAM GRIP	46	91410003	ADJ BRAKE PUSH ROD (INCL #47 & #48)
4	15990009	E-CLIP 1/2	47	12990005	NUT, HEX 3/8-24 P
5	22420002	GROOVE PIN 1/2 X 19.9375 Z	48	12990014	YOKE END 3/8-24
6	14990002	BUSHING, BRONZE (SAME AS VELKE HITCH BUSHING)	49	21420001	CLEVIS PIN
6A	14990004	BUSHING, BRONZE (SHORT 1/2") or use ref #6	50	93420010	UPRIGHT WELDMENT
7	13990015	MACHINE BUSHING 1/2 ID 7/8 OD 18GA	51	12990020	NUT, NYLOCK 3/8-16
8	15990007	HITCH PIN CLIP	52	12990012	NUT, U 1/4-20
9	85410022	CONTROL ROD X 26"	53	15990002	CLIP, HALF 5/8"
10	18410002	SWIVEL END, 5/16-18	54	91420002	HYDRO TANK
11	93420006	INSTRUMENT PANEL, FOR SWITCH #19	55	91420001	HYDRO TANK CAP
12	54420001	HOUR METER (INCLUDES RETAINER & HARDWARE)	56	41410005	FUEL TANK (INCLUDES #61 & #62)
13	54420002	AMMETER (INCLUDES RETAINER AND HARDWARE)	57	41410002	FUEL TANK CAP W/ VENT
14	17420002	PLUG, PANEL 2", BLACK	58	11990025	SCREW, ROUND PHLP 1/4-20 X 2 Z
15	52460002	CHOKE CABLE, KAW. 17 HP (INCL NUT)	59	91410002	FUEL TANK STRAP
16	17420005	PLUG, PANEL 3/8", BLACK	60	12990006	NUT, LOCK FLANGE 1/4-20 Z
17	11990023	SCREW, TRUSS HD MACH 10-32 X 1/2 Z	61	41410003	BUSHING FOR FUEL TANK VALVE
18	20420002	IGN. SWITCH, ELEC START (INCL KEY AND HARDWARE)	62	41410004	VALVE, BALL 90DEGREE FOR FUEL TANK
18A	20420001	IGN. SWITCH, RECOIL (INCL KEY AND HARDWARE)	63	43410001	HOSE CLAMP, 1/4"
19	52420003	CLUTCH SWITCH, RED PUSH-PULL (INCL RETAINER)	64	81410012	FUEL LINE, 9"
20	17420001	PLUG, PANEL 3", BLACK	65	93410022	FUEL TANK STAND
21	11990024	SCREW, TRUSS HD MACHINE 1/4-20 X 3/4 Z	66	11990001	BOLT, HEX 1/4-20 X 3/4 Z5
22	52420002	THROTTLE CABLE	67	13990020	WASHER, LOCK 1/4 Z
23	12990015	NUT, KEP 10-32	68	12990006	NUT, LOCK FLANGE 1/4-20 Z
24	53490004	WIRE HARNESS, DASH PANEL, ELECTRIC START	69	53490013	RELAY, FOR HARNESS #73
24A	53490015	WIRE HARNESS, DASH PANEL, RECOIL FOR SWITCH #19	69A	53490019	RELAY, FOR HARNESS #73A (RECOIL)
25	93420007	STATIONARY HANDLEBAR	69B	53490020	CASE, FOR RELAY #69A
26	11990027	BOLT, HEX 5/16-18 X 1 Z5	70	34490001	HYDRO OIL FILTER HOUSING BLOCK
27	13990004	WASHER, LOCK 5/16 Z	71	34490002	HYDRO OIL FILTER 25 MICRON
28	12990008	NUT, LOCK FLANGE 3/8-16	72	53490018	WIRE HARNESS, ENGINE (KAW 12.5 HP)
29	11990030	BOLT, FLANGE 3/8-16 X 3/4 Z5	72A	53490001	WIRE HARNESS, ENGINE (BRIGGS 16-18 HP)
30	98420002	CUSHION	72B	53490014	WIRE HARNESS, ENGINE (KAW 15 HP & 17 HP REC)
31	98410025	BATTERY STRAP (INCL #32 x 2 & #33 x 2)	72C	53490017	WIRE HARNESS, ENGINE (KAW 17 HP R/E)
32	12990019	NUT, NYLOCK 1/4-20	73	53490005	WIRE HARNESS, MAIN (ELECTRIC START)
33	11990031	SCREW, ROUND PHLP 1/4-20 X 1 1/4 Z	73A	53490016	WIRE HARNESS, MAIN (RECOIL, W/ RELAY)
34	56410008	BATTERY CASE COVER	74	52410002	SWITCH, OPC, ELEC START (BLACK) NORM. OPEN
35	12990007	NUT, LOCK FLANGE 5/16-18 Z	75	12990024	NUT, HEX, 1/4-20 Z
36	53490010	BATTERY CABLE, RED, 38" (INCL #38 x 2)	76	53490007	SOLENOID GROUNDING WIRE (Kaw/Briggs Elec.start)
37	11990028	BOLT, HEX HD 5/16-18 X 3/4 Z5	77	53490012	CABLE, RED, 3 1/2" (Kaw/Briggs Elec.Start)
38	56410006	LUG INSULATOR, RED	78	53490009	SOLENOID (Kaw/Briggs Elec.Start)
39	53490011	BATTERY CABLE, BLACK, 18 1/2"	79	98420020	PUMP GUARD BAR (INCL. #80)
40	56410001	BATTERY, 12V, MAINT. FREE	80	17420006	FOAM FOR PUMP GUARD BAR
41	56410002	BATTERY CASE BASE	81	13990010	WASHER, FLAT 5/16 Z
42	93410034	BATTERY STAND	82	91410004	FUEL TANK GUARD (for when Grass Gobbler is used)
43	11990021	BOLT, SHLDR ALLN 1/2 X 1 1/4	83	93420011	CONDENSOR HOLDER

Wright **STANDER** UPPER TRACTOR

(36-42)





HYDRAULIC PARTS (36 & 42)

REF #	PART #	DESCRIPTION
1	91420001	HYDRO TANK CAP
2	91420002	HYDRO TANK
3	35410011	BRASS TEE, FEMALE 3/8
4	35410013	BARBTITE, MALE 3/8 X 3/8
5	81420001	HOSE, GENERAL PURPOSE 3/8 X 13"
5A	98420008	HOSE ASSEMBLY, 13" (INCL #4, #5 & #6)
5B	98410009	HOSE ASSEMBLY (INCL #5x2, #13, #11 & #6x3)
6	35410012	BARBTITE, FEMALE 3/8 X 3/8
7	35410007	ELBOW, STRT ORING, 3/8 X 3/8 (INCL #8)
8	35410019	O-RING (15/32 x 5/8 x 5/64)
9	34490001	HYDRO OIL FILTER HOUSING
10	34490002	HYDRO OIL FILTER (25 MICRON)
11	35410001	TEE, NYLON MALE 3/8
12	35410015	PLUG, STEEL 3/8

REF #	PART #	DESCRIPTION
13	81410005	HOSE, GENERAL PURPOSE, 3/8 X 3"
14	35410006	ELBOW, STRT ORING, 3/8 X 1/4 (INCL #15)
15	35410020	O-RING (3/8 x 1/2 x 1/16)
16	35410010	ELBOW, 3/8 STREET
17	35410023	ELBOW, 45-DEGREE, O-RING, 1/2 (INCL #19)
18	35410009	CONNECTOR, STRT ORING 1/2 (INCL #19)
19	35410021	O-RING (5/8 x 13/16 x 3/32)
20	31490001	HYDRO PUMP
21	33410004	HYDRO HIGH PRESSURE HOSE ASSM (23 1/2")
21A	33410005	HYDRO HIGH PRESSURE HOSE ASSM (27 3/4")
22	35410005	ELBOW, SWIVEL JIC 1/2
23	35410008	ELBOW, STRT O-RING, 1/2 X 5/8 (INCL #24)
24	35410022	O-RING (3/4 x 15/16 x 3/32)
25	32410003	HYDRO MOTOR (MF12)

DECALS & PAINTS

REF #	PART #	DESCRIPTION
1	76410001	DECAL, ALL PRODUCT LOGOS
2	76460001	DECAL, DANGER/ ROTATING BLADE HAZARD
3	76490001	DECAL, SHIELD MISSING
4	76490003	DECAL, WRIGHT STANDER SIDES (MINI LOGO)
5	76490004	DECAL, STANDER DASH FRONT
6	76490005	DECAL, THROTTLE CONTROL
7	76490015	DECAL, 36, FOR DECK SIZE
8	76490016	DECAL, 42, FOR DECK SIZE
9	76490013	DECAL, INST. PANEL
10	76490017	DECAL, CHOKE (KAW. 12.5 & 15)
93990003		STANDER PAINT, AEROSOL CAN 12 OZ.
????????		INQUIRE ABOUT NON-AEROSOL GALLONS OR QUARTS

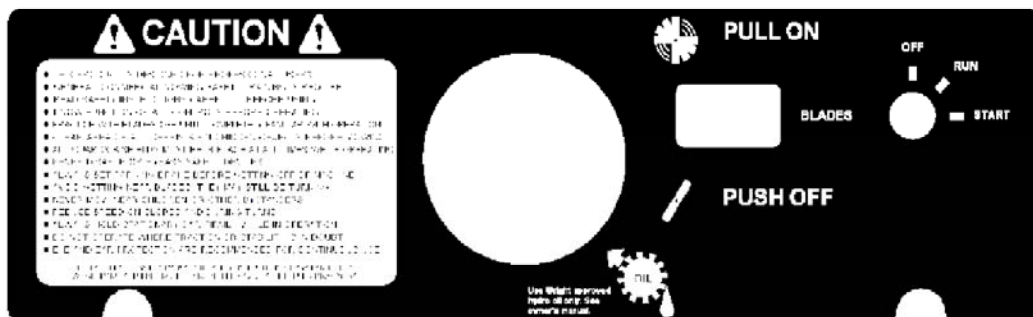


10 → CHOKL



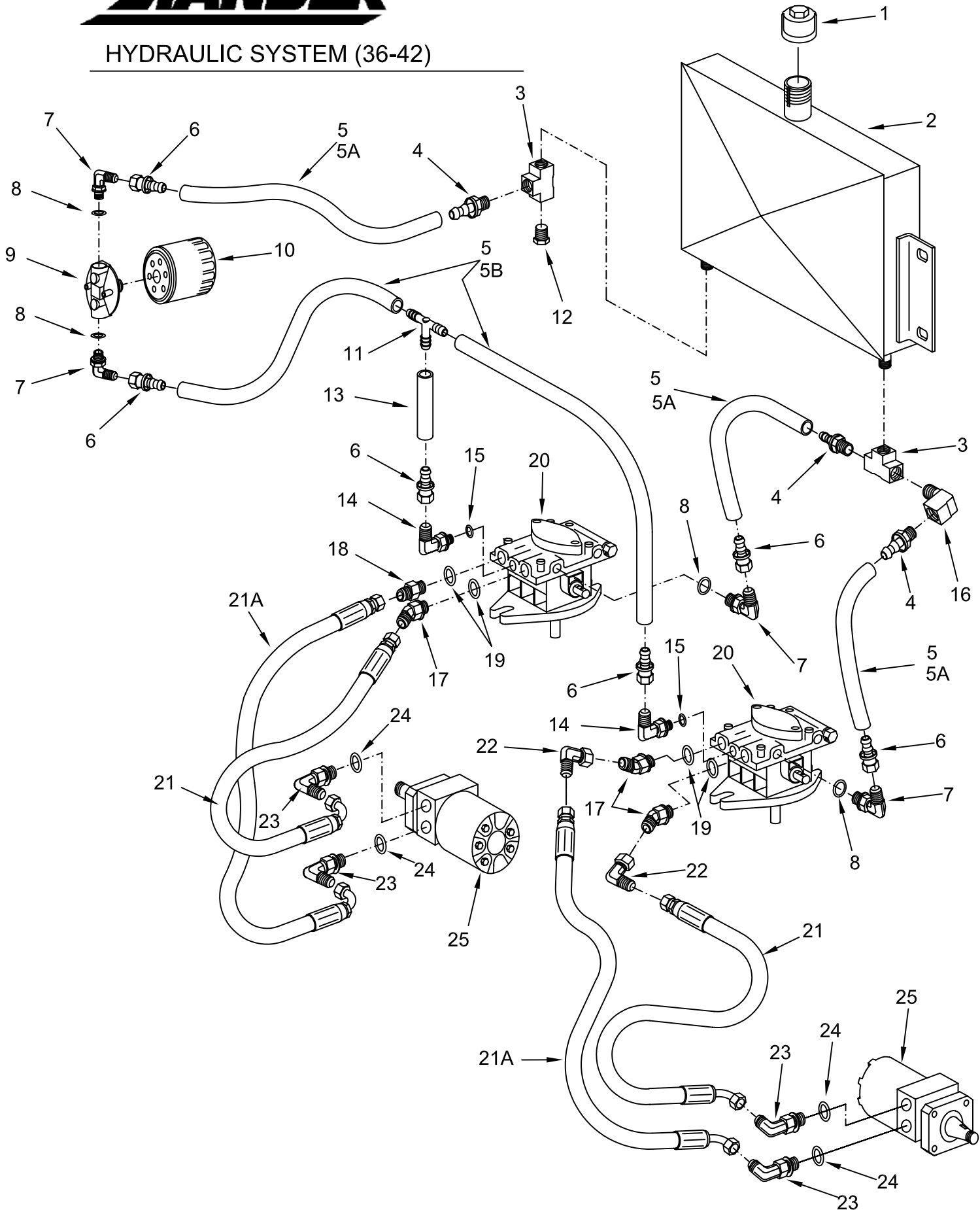
36 → 7

42 → 8





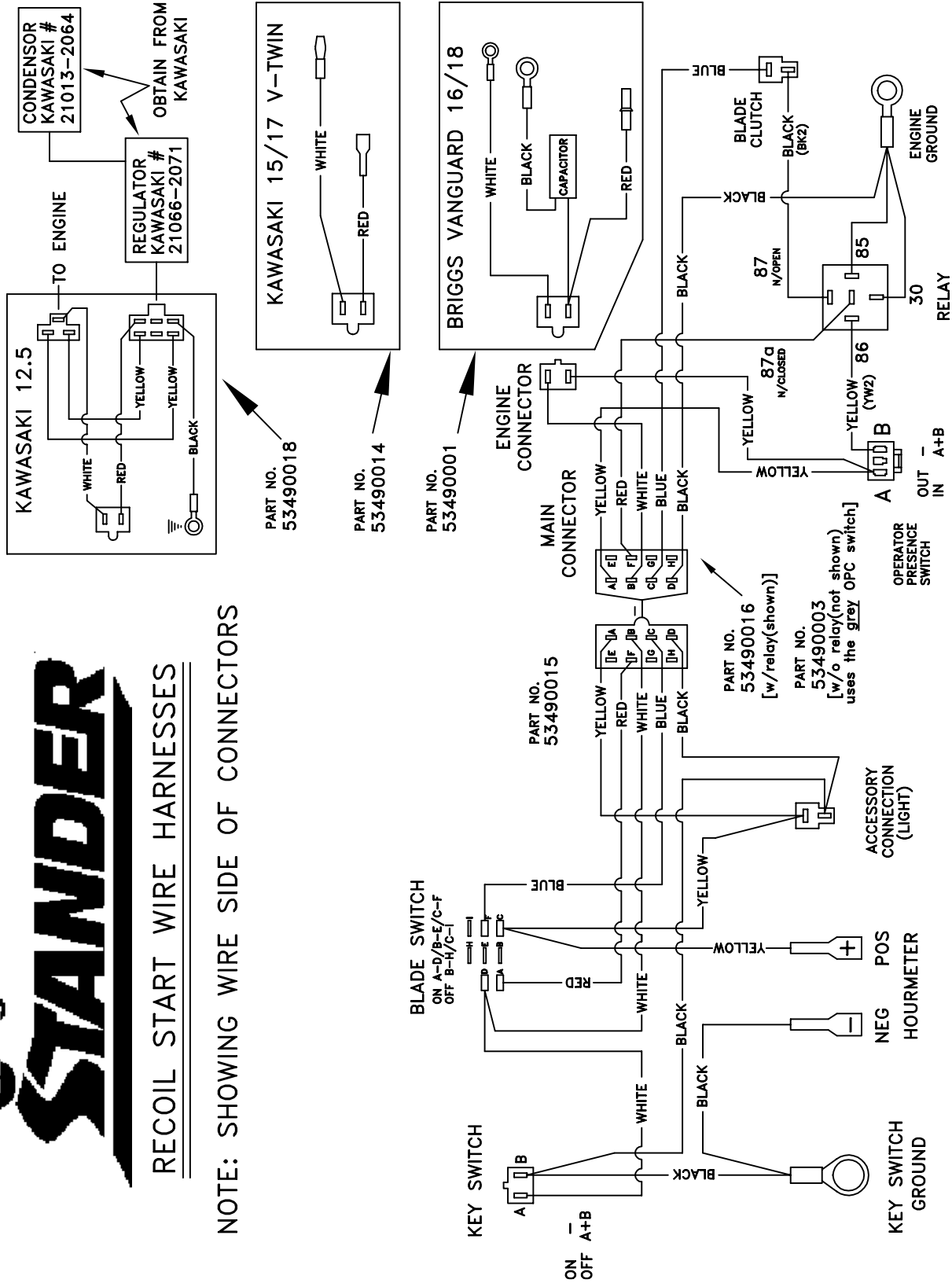
HYDRAULIC SYSTEM (36-42)



Wright **STANDER**

RECOIL START WIRE HARNESSSES

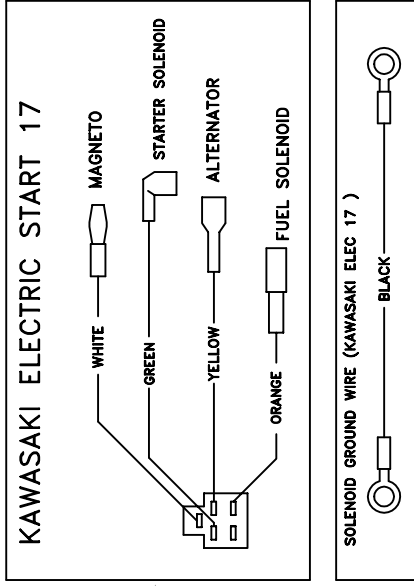
NOTE: SHOWING WIRE SIDE OF CONNECTORS



Cricht STANDER

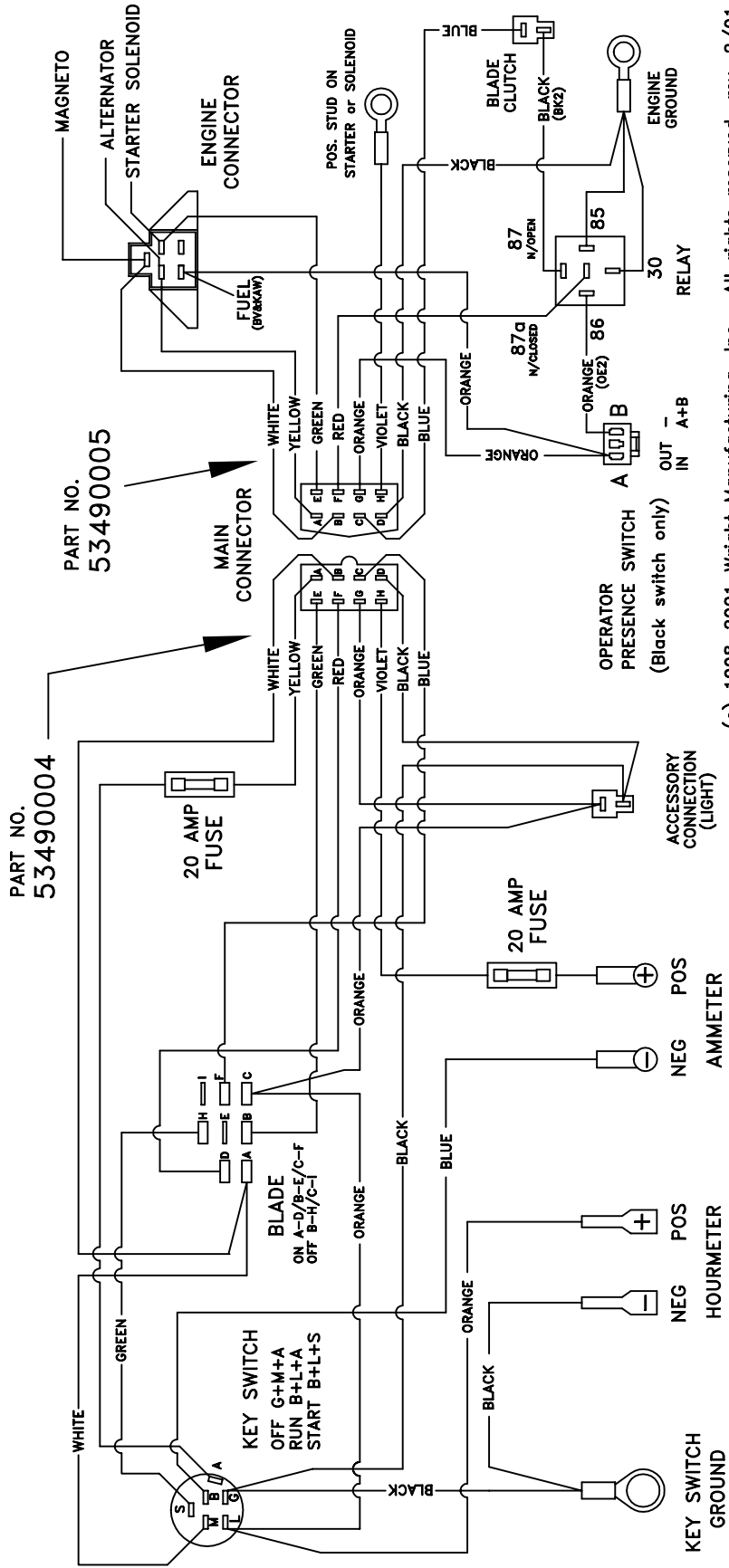
ELECTRIC START WIRE HARNESSES

NOTE: SHOWING WIRE SIDE OF CONNECTORS



PART NO.
53490017

PART NO.
53490007



(c) 1998-2001 Wright Manufacturing, Inc. All rights reserved. rev. 2/01